



GT1175 (H105) Hurricane Installation Manual

P/N C-00357 Rev 1-16-19

Nabco Entrances Inc. 582 W18717 Gemini Drive Muskego, Wisconsin 53150
Phone: (877) 622-2694 Fax: (888) 679-3319 www.nabcoentrances.com
NABCO hours of Operation: Monday to Friday 8:00 a.m.- 4:30 p.m. (Central Time)

*Associated Manuals Part Numbers: GT1175 Electrical Installation Manual **with U30 Microprocessor Controller (P/N C-00198)
U30 Microprocessor Control Setup and Programming Manual (P/N C-00203)
Automatic Sliding Door Owners Manual (P/N C-00109) for Decal Installation
NABCO Price Book" for Sensors, Switches, and Accessories (P/N 16-9244-30)*

WARNING

- Turn OFF all power to the Automatic Door if a Safety System is not working.
- Instruct the Owner to keep all power turned OFF until corrective action can be achieved by a NABCO trained technician. Failure to follow these practices may result in serious consequences.
- NEVER leave a Door operating without all Safety detection systems operational.

Table of Contents

CHAPTER 1: WARNING LABELS	3
CHAPTER 2: GENERAL SAFETY RECOMMENDATIONS	3
CHAPTER 3: SCOPE	4
SECTION 3.1: To the Installer	4
SECTION 3.2: Objective	4
CHAPTER 4: GETTING STARTED	4
SECTION 4.1: Types of Units	4
SECTION 4.2: Header Components	5
SECTION 4.3: Electrical Specifications	5
CHAPTER 5: INSPECT THE ROUGH OPENING	5
CHAPTER 6: ASSEMBLE DOOR FRAME	6
CHAPTER 7: SECURE DOOR FRAME TO BUILDING	7
SECTION 7.1: Anchor Placements	7
CHAPTER 8: WIRE THE ROCKER SWITCH	7
CHAPTER 9: INSTALL THE SURFACE THRESHOLD	8
SECTION 9.1: Full Open, Surface Threshold	9
SECTION 9.2: Fixed Sidelite, Surface Threshold	9
CHAPTER 10: INSTALL THE RECESSED THRESHOLD	10
CHAPTER 11: THRESHOLD MAINTENANCE	10
CHAPTER 12: INSTALL THE FIXED SIDELITE PANEL	11
SECTION 12.1: Secure the Fixed Sidelite Panel to Door Frame	11
SECTION 12.2: Install the Double Roller Assembly	12
SECTION 12.3: Install the Floor Bracket	13
CHAPTER 13: INSTALL THE FULL OPEN SIDELITE PANEL	13
SECTION 13.1: Install the Bottom Pivot	13
SECTION 13.2: Install the Limit Arm	14
SECTION 13.3: Attach the Swing Sidelite to Pivots	14
SECTION 13.4: Complete Installation of the Limit Arm	15

CHAPTER 14: INSTALL THE SLIDE DOOR 15

SECTION 14.1: Lift Carrier onto the Track 15

SECTION 14.2: Secure Belt Clip to Carrier 16

SECTION 14.3: Install the Bottom Guide Assembly 16

CHAPTER 15: ADJUSTMENTS 17

SECTION 15.1: Adjust Rollers on Carrier 17

SECTION 15.2: Hanger Rollers 17

SECTION 15.3: Anti-Rise Rollers 18

SECTION 15.4: Eccentric Retainer Rollers 19

SECTION 15.5: Adjust the Interlock 19

SECTION 15.6: Adjust Preload 19

SECTION 15.7: Correct Preload Misalignment 20

SECTION 15.8: Adjust Pressure of the Bottom Panic Catch 20

CHAPTER 16: FINISH INSTALLING THE SURFACE THRESHOLD 21

CHAPTER 17: 110 VAC GENERAL WIRING 21

CHAPTER 18: INSTALL WEATHERING 22

SECTION 18.1: Fixed Sidelite Slide Door 22

SECTION 18.2: Full Open 22

SECTION 18.3: Apply Caulking Bead 22

CHAPTER 19: GLAZING 23

SERVICE PARTS: FULL OPEN, NH KIT, H105: P/N A-00625 24

SERVICE PARTS: FIXED SIDELITE, H105 RH KIT: P/N A-00624; LH KIT: A-00623. 25

SERVICE PARTS: HEADER 26

SERVICE PARTS: FULL OPEN SIDELITE 29

SERVICE PARTS: RIGHT HAND FULL OPEN SIDELITE 30

SERVICE PARTS: LEFT HAND FULL OPEN SIDELITE 31

SERVICE PARTS: FULL OPEN SLIDE DOOR 34

SERVICE PARTS: RIGHT HAND FULL OPEN SLIDE DOOR 35

SERVICE PARTS: LEFT HAND FULL OPEN SLIDE DOOR 36

SERVICE PARTS: FIXED SIDELITE 39

SERVICE PARTS: LEFT HAND FIXED SIDELITE 40

SERVICE PARTS: RIGHT HAND FIXED SIDELITE 41

SERVICE PARTS: FIXED SIDELITE SLIDE DOOR 43

SERVICE PARTS: LEFT HAND FIXED SIDELITE SLIDE DOOR 44

SERVICE PARTS: RIGHT HAND FIXED SIDELITE SLIDE DOOR 45

CHAPTER 1: WARNING LABELS

Warning labels are universal and used to alert an individual of potential harm to one's self or to others. The following warning labels are listed in a hierarchy order that defines the most potential danger first, and the least potential danger last. Please refer to this page in the event that a warning label is displayed within this manual and further definition needs to be explained.

DANGER

Indicates potentially dangerous situations. Danger is used when there is a hazardous situation where there is a *high* probability of severe injury or death. It should not be considered for property damage unless personal injury risk is present.

WARNING

Indicates a hazardous situation which has *some* probability of severe injury. It should not be considered for property damage unless personal injury risk is present.

CAUTION

Indicates a hazardous situation which *may result in a minor injury*. Caution should not be used when there is a possibility of serious injury. Caution should not be considered for property damage accidents unless a personal injury risk is present.

Attention: A situation where material could be damaged or the function impaired.

Notice: Indicates a statement of company policy as message relates to the personal safety or protection of property. Notice should not be used when there is a hazardous situation or personal risk.

Note: Indicates important information that provides further instruction.

CHAPTER 2: GENERAL SAFETY RECOMMENDATIONS

DANGER

Disconnect all power to the junction box prior to making any electrical connections. Failure to do so may result in serious personal or fatal injury. When uncertain whether power supply is disconnected, always verify using a voltmeter.

DANGER

Do not place finger or uninsulated tools inside the electrical controller. Touching wires or other parts inside the enclosure may cause electrical shock, serious injury or death.

WARNING

Do not install, operate or service this product unless you have read and understand the General Safety Recommendations and Warning Labels contained in this manual. Failure to do so may result in bodily injury, or property damage.

WARNING

Read, study and understand the installation and operating instructions contained in, or referenced within this manual before operating. If you do not understand the instruction, ask a qualified technician. Failure to do so may result in bodily injury or property damage and will nullify all warranties.

CAUTION

If the door appears broken or does not seem to work correctly, it should be immediately removed from service until repairs can be carried out or a qualified service technician is contacted for corrective action.

Notice: This manual and the owner's manual and all other associated manuals must be given to and retained by the purchasing facility or end user.

Notice: It is the responsibility of the purchasing facility or end user to keep warning instructional labels in accordance with ANSI A156.10.

Notice: Wiring must meet all local, state, federal or other governing agency codes.

Notice: All electrical troubleshooting or service must be performed by qualified electrical technicians and must comply with all applicable governing agency codes.

CHAPTER 3: SCOPE

SECTION 3.1: To the Installer

The purpose of this manual is to familiarize the installer and purchaser with the proper installation and operation of this system. It is essential that this equipment be properly installed and operational before the door is used by the public. It is the installer's responsibility to inspect the operation of the entrance system to be sure it complies with any applicable standards. In the United States ANSI Standard 156.10 covers the GT1175 Hurricane Slide Door System, and ANSI Standard Z97.1 covers Glass Installation. Other local standards or codes may apply. Use them in addition to the ANSI standard. The GT1175 Hurricane Slide Door is listed with the Underwriters Laboratory and is identified as such on the label.

Instruct the building owners and operator on the essentials of the operation of the door and this device. The owner should follow these instructions to determine whether the door is operating properly and should immediately call for service if there is any malfunction. All installation changes and adjustments must be made by qualified, NABCO trained technicians.

SECTION 3.2: Objective

The GT1175 Hurricane Slide Door is designed to be installed within a Rough Opening of a Building. The door function is controlled by the U30 Microprocessor Control. This control offers many features to accommodate most installation options. This manual offers step by step instructions.

CAUTION

A pedestrian Door that does not have its glass sections installed at the Factory shall specify that the glazing material employed is to comply with the requirement in UL 325 par.30.5.1:

“The glazing material in both fixed and sliding panels of all sliding doors and in all unframed swinging doors shall comply with the requirements in the Performance Specifications and Methods of Test for Safety Glazing Material Used in Buildings, ANSI Z97.1. Glazing material for other pedestrian doors shall also comply with ANSI Z97.1, except that single strength or heavier glass may be used for those portions of doors involving a glazed area of less than 1ft² (0.9 m²) and having no dimension greater than 18 in (457 mm)”.

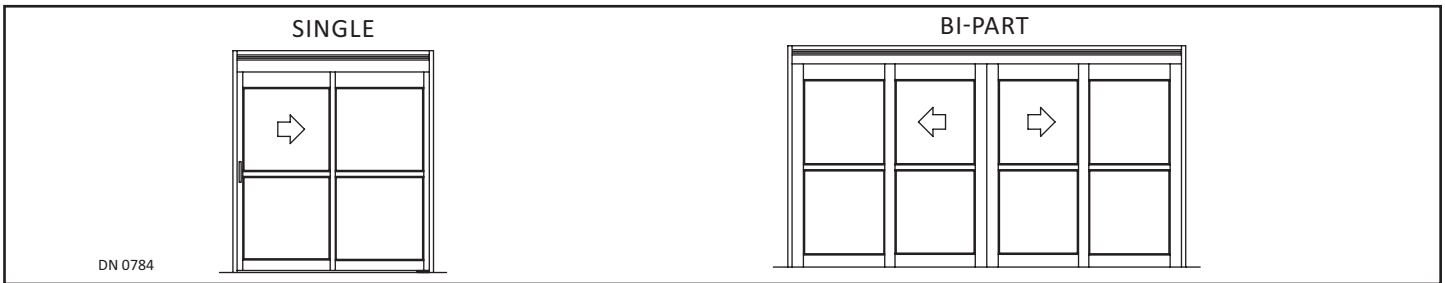
CHAPTER 4: GETTING STARTED

- ▶ In response to customer's special requirements, the GT1175 Hurricane Slide Door has been:
 - Engineered to comply with the Miami-Dade County Hurricane High Impact Building Code.
 - Both Impact and Non-Impact Slide Doors have been tested to be:
 - Large Missile Resistant
 - Cyclic Wind Pressure Resistant.
- ▶ Standard features include a Florida Product Approval (FPA) for High Velocity Hurricane Zone (HVHZ)
 - Tested Large Missile Impact Resistant
 - Tested Cyclic Wind Pressure Resistant
 - An optional AHCA (Agency for Health Care Administration) approved latch lever on Fixed Sidelite units providing egress with one hand motion.
- ▶ Special Features:
 - Wet glaze (silicone) to install Glass Stops. Used on Impact Hurricane Slide Doors.
 - Dry glaze (wetting rubber gaskets with soap and water) to install Glass Stops.
 - Used on Non-Impact Slide Doors.

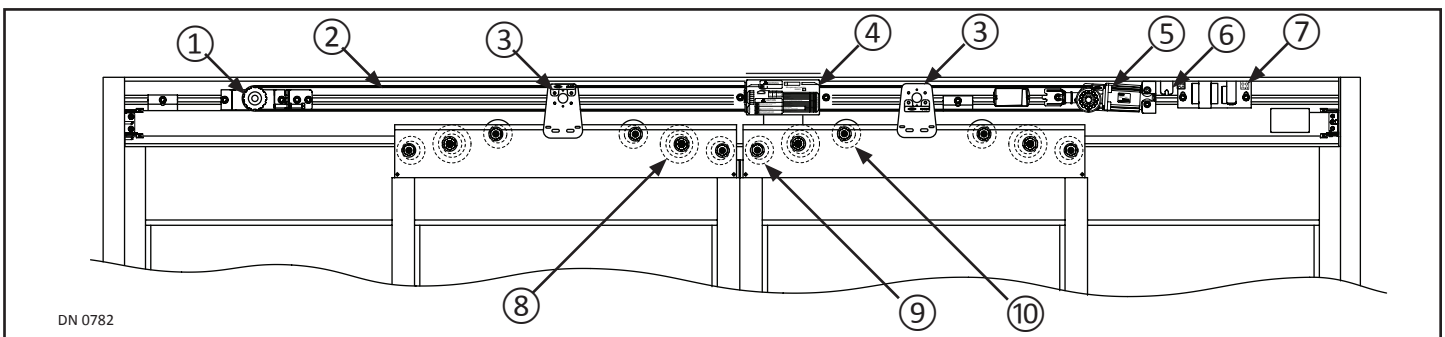
SECTION 4.1: Types of Units

- ▶ Extrusion Configurations:
 - Pocketed Jamb Tubes
- ▶ Emergency Egress:
 - Full Open: Both the Slide door and Swing Sidelite breakout for emergency egress.
 - Fixed Sidelite: Fixed Sidelite is secured to the Header and Jamb Tube. Only the Slide door breaks out.

- ▶ Mechanical Configurations:
 - Single Slide: (1) Slide Door that slides to the right or left with (1) Sidelite Panel.
 - Bi-Part: (2) Slide Doors that slide apart from the center with (2) Sidelite Panels.



SECTION 4.2: Header Components



1	Idler Assembly	A-00042	6	Handy Terminal Harness	M-01517
2	Timing Belt 3/4" wide	M-01491	7	DS 150/U30 Power Supply	A-00717
3	Belt Clip Assembly	A-00759	8	Hanger Roller	A-00162
4	U30 Microprocessor Controller	V-00020	9	Eccentric Carrier Retainer	A-00319
5	DS 150 Operator	M-00395	10	Hurricane Anti-Rise	A-00305

SECTION 4.3: Electrical Specifications

Note: Electrical conduit and switch or sensor wires should be pulled through the frame before mounting the GT1175 System.

Note: To prevent electrical interference, always route 120 VAC Power from the end of the Header; opposite to the Controller and Motor/Operator. Refer to "Model GT 1175 Electrical Installation Manual with U30 Microprocessor Controller"; P/N C-00293 for details.

Electricity	Description
Power Input	120 (±10%) AC 50-60Hz, 5 Amps
Available current for accessories	U Series Control 0.35 Amps 12 Volts DC
Available wire size for incoming power	14 AWG

CHAPTER 5: INSPECT THE ROUGH OPENING

1. Ensure the Rough Opening is correct size.
 - ▶ The width of the Rough Opening should equal: **PACKAGE WIDTH + 1/4 INCH ON EACH SIDE**
 - ▶ The height of the Rough Opening should equal: **PACKAGE HEIGHT + 1/4 INCH**

Note: Make allowances for tile or other existing materials that may change the floor height.
2. Ensure the floor is level across the entire opening. If used, check recessed threshold across the door opening.

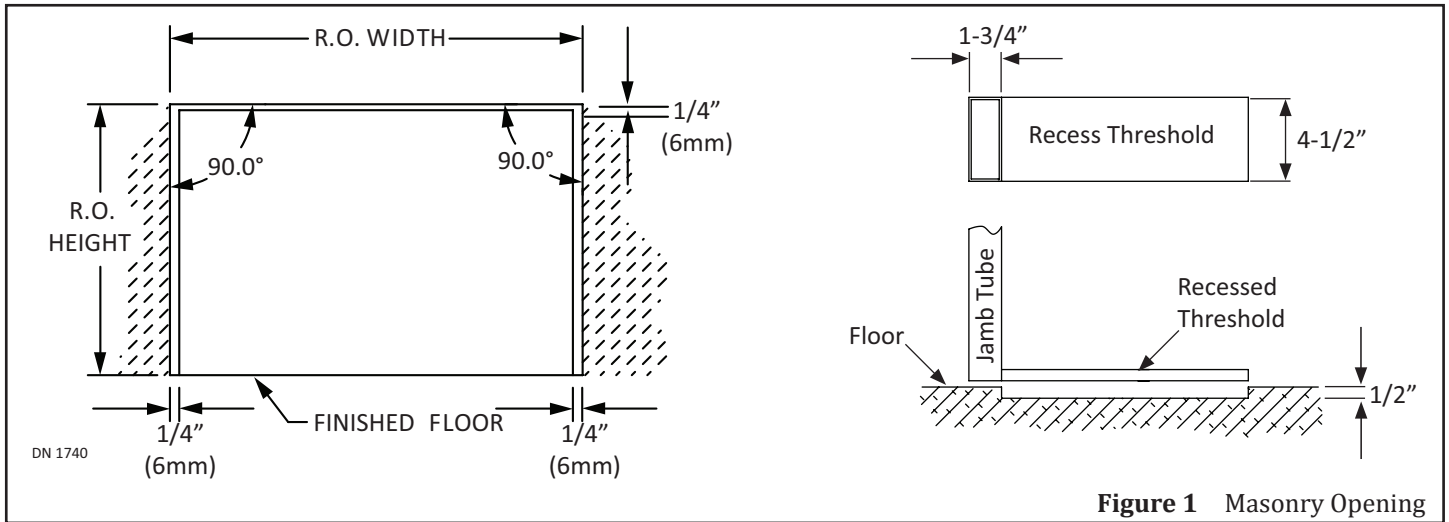


Figure 1 Masonry Opening

CHAPTER 6: ASSEMBLE DOOR FRAME

SECTION 6.1: Remove the Header Cover

1. Remove (2) 8-32x0.625L Flat head screws. Remove Header Cover by lifting it up and then pulling it out.
2. Unplug the Sensor (if equipped). Remove Parts boxes and/or Parts bags from inside Header.

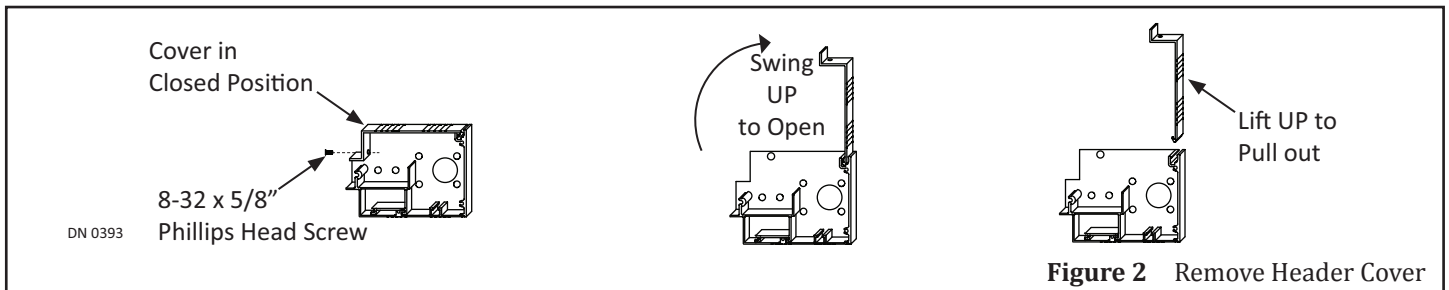


Figure 2 Remove Header Cover

SECTION 6.2: Position the Door Frame

1. Position Jamb Tubes on either side of Header according to the instruction sticker located on each Jamb Tube, showing proper location and orientation.
 - a. Ensure the removable cover side of Header is facing up.
2. Orientate the Frame in relation to the building:
 - ▶ Fixed Sidelite: Removable Cover side of Header must face the Exterior side of building.
 - ▶ Full Open: Removable Cover side of Header must face the Interior side of building.

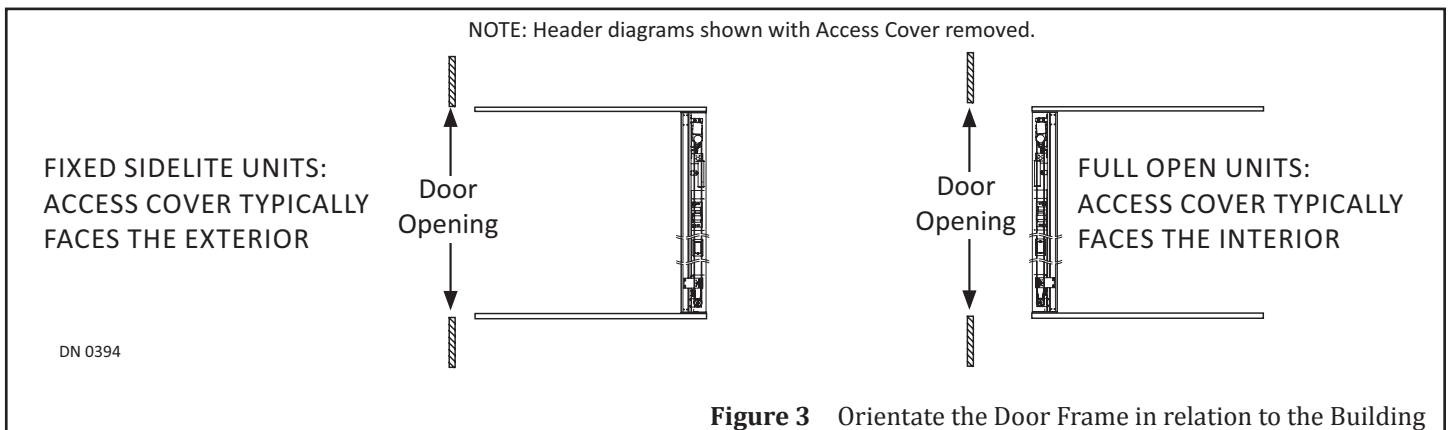


Figure 3 Orientate the Door Frame in relation to the Building

3. Secure the Header to each Jamb Tube with (6) 1/4-20 x .75 Whizlock screws.
 - a. If installed correctly there will be a 1/8 inch gap between the bottom of Jamb Tubes and the flat surface.

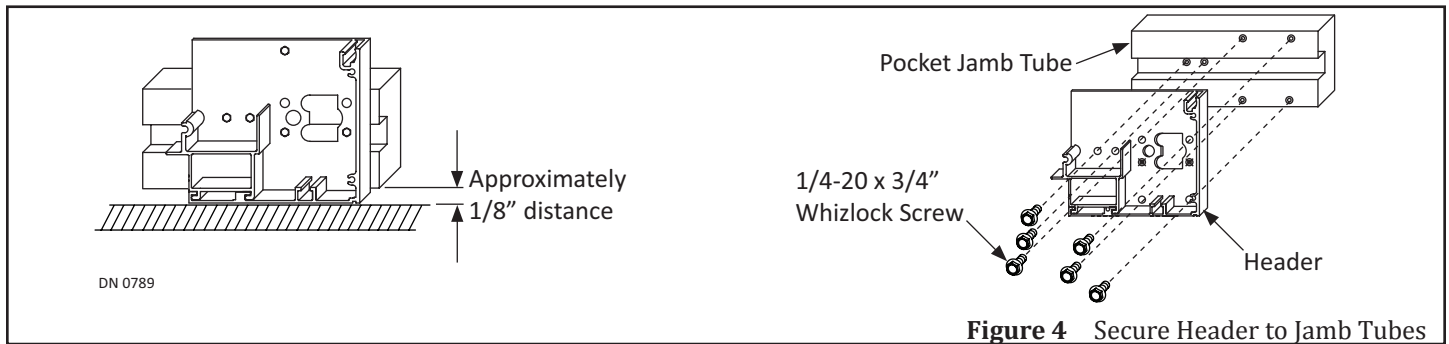


Figure 4 Secure Header to Jamb Tubes

CHAPTER 7: SECURE DOOR FRAME TO BUILDING

1. Lift to position the assembled Frame into the rough opening.
 - a. To prevent electrical interference for the 120 Vac Line, always route 120 Vac Power through the Header Endcap that is opposite to the controller and motor/operator.
 - b. Please refer to "Model GT 1175 Electrical Installation Manual"; P/N C-00198 for detailed information.
2. Shim and Plumb Jamb Tubes in both planes to ensure the rough opening allows a 1/4 inch clearance. Shim and plumb the Header or the Transom Horizontal at the top to ensure the rough opening allows a 1/4 inch clearance.



Figure 5 Shim and Plumb Frame

SECTION 7.1: Anchor Placements

Notice: For detailed installation information, please refer to the following manuals that have been packed within the Decal Packet:

- NOA Impact Installation Manual, P/N C-00358
- NOA Non-Impact Installation Manual, P/N C-00359

CHAPTER 8: WIRE THE ROCKER SWITCH

1. Remove the Rocker Switch and (2) screws from the Jamb Tube.

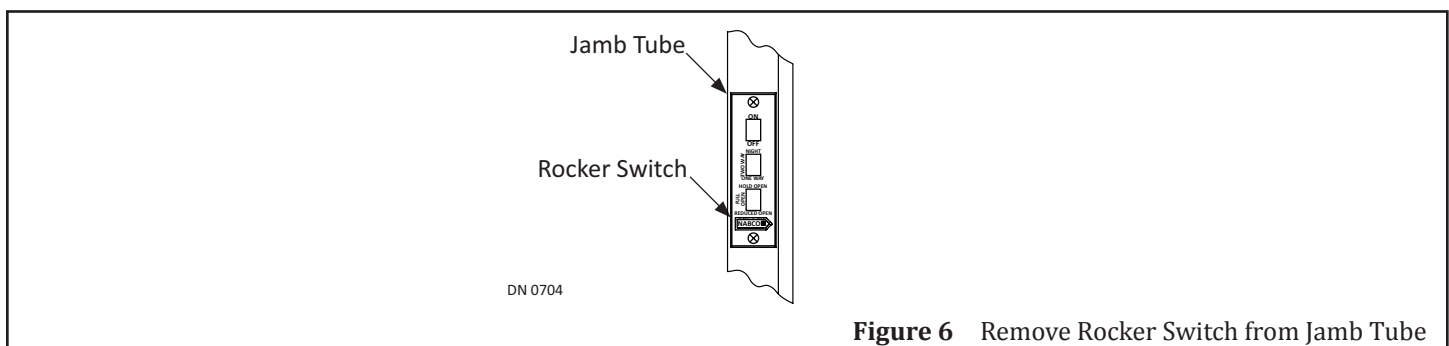
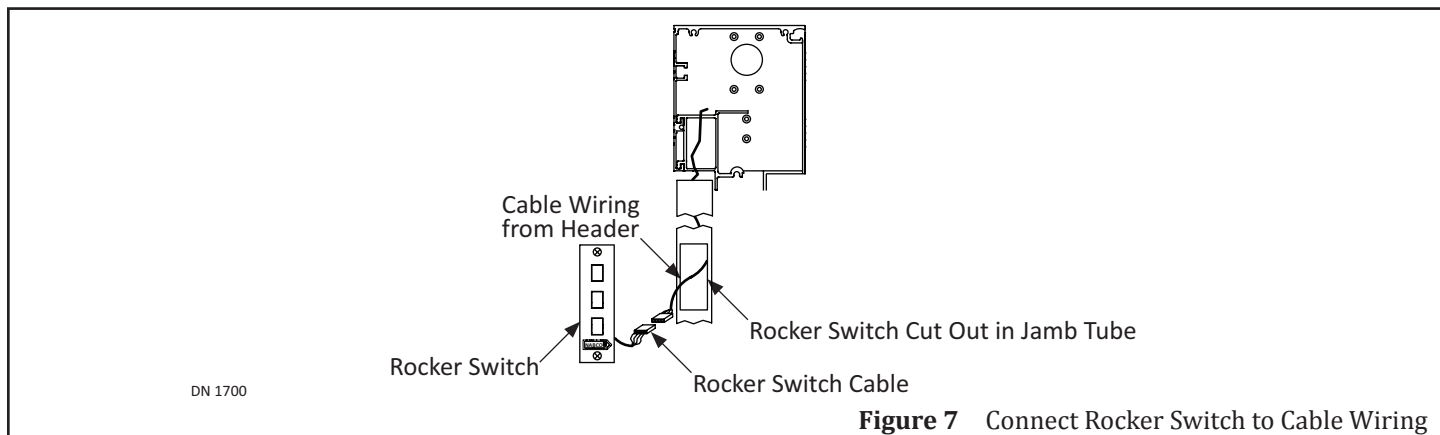


Figure 6 Remove Rocker Switch from Jamb Tube

2. There is approximately (2) feet of Cable Wiring connected to the Main Harness inside the Header. Withdraw the Cable Wiring through a hole at the bottom Lip of Header. Continue to route the Cable Wiring through the top of Jamb Tube, then down to where the Rocker Switch was removed.

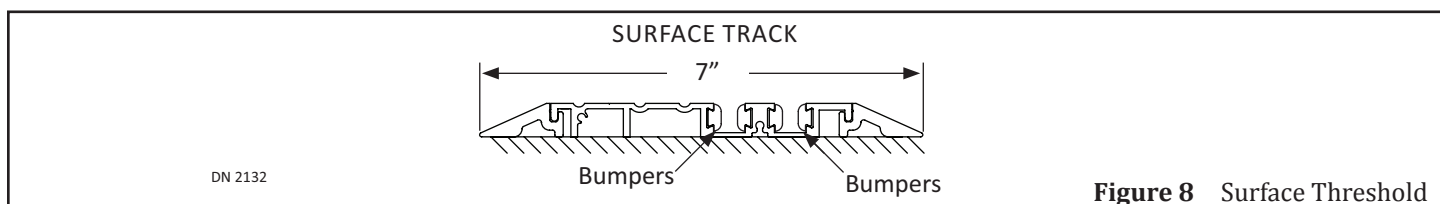
3. Pull the Cable Wiring through the cut out. Connect the Cable Wiring to the Rocker Switch Harness.
4. Secure the Rocker Switch to the Jamb Tube with (2) screws.



CHAPTER 9: INSTALL THE SURFACE THRESHOLD

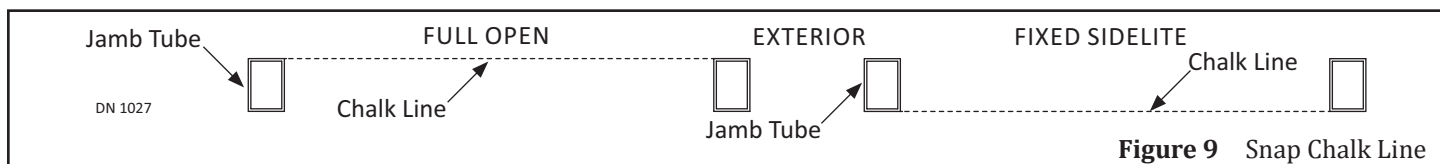
Standard Thresholds vary in width and can be installed two different ways:

- ▶ Recessed: Installed into the floor (1/2 inch deep) across the full length of the track.
- ▶ Surface: Installed on the surface of the floor with ramps attached to both sides.

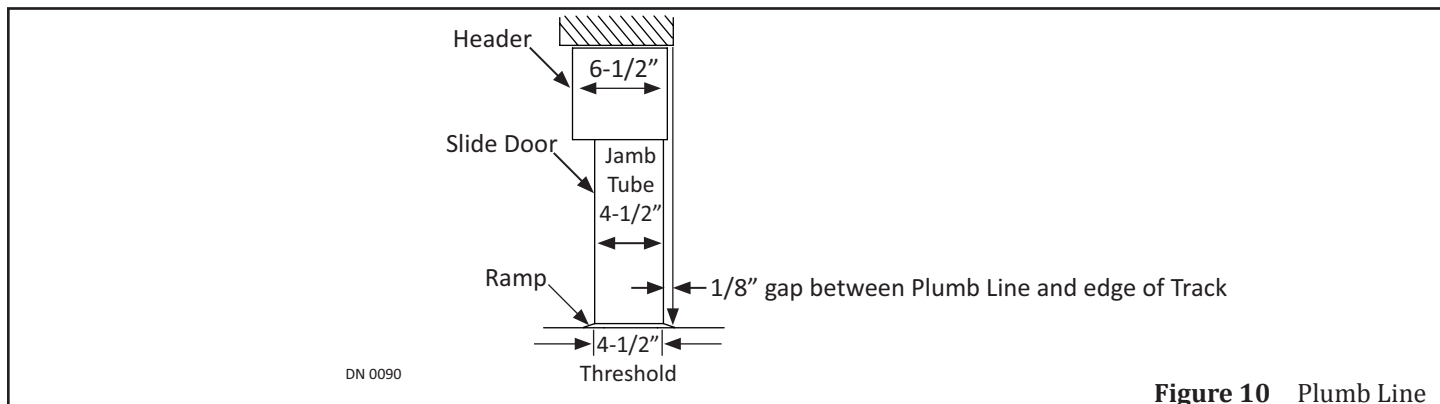


- Attention:**
- Do Not permanently secure Threshold until the Slide Door has been installed. Failure to do so may cause misalignment.
 - Do Not center Threshold to Header. Doing so will cause misalignment.

1. On the same side of Door Frame where the Sidelite will be installed, snap a chalk line on the floor from Jamb to Jamb.



2. Go to the Header on the Sidelite Side of Door Frame.
3. Plumb the Floor Track by hanging the Plumb Bob from the Header (Sidelite Side). There should be a 1/8 inch overhang.



SECTION 9.1: Full Open, Surface Threshold

Attention: Lay down Threshold so the Channels are located on the side of Slide Door.

1. Obtain the Full Open Threshold.
2. With the Pivot Hole located on the Exterior Side of Building, center and then butt the F.O. Threshold to the Jamb Tube.
 - a. Ensure the full length of Threshold is flush with the chalk line.
 - b. Ensure Bumper Channels are on the same side of the Slide Door.
3. Obtain the Fixed Sidelite Threshold. Center the F.S. Threshold to the F.O. Threshold. Butt together both ends of Thresholds.
 - a. Ensure the full length of Thresholds are flush with the chalk line.
4. Install the full length of (1) Ramp on each side of Threshold

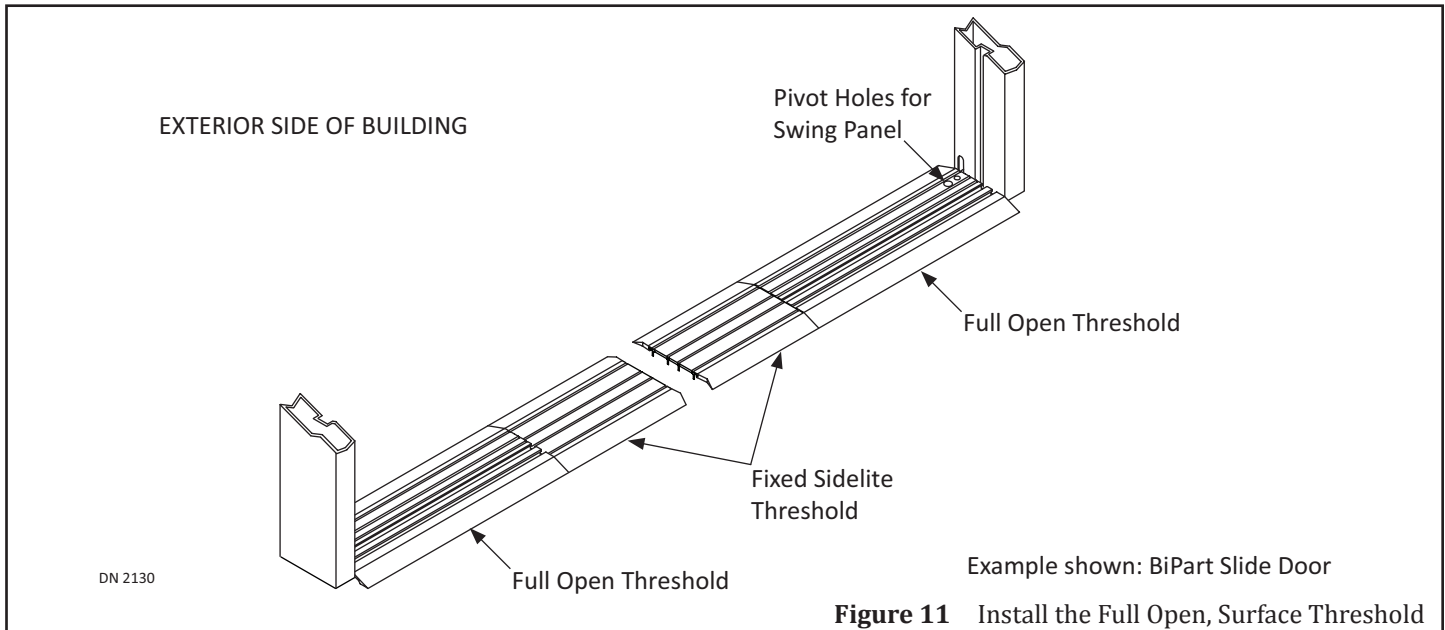


Figure 11 Install the Full Open, Surface Threshold

SECTION 9.2: Fixed Sidelite, Surface Threshold

1. Obtain the Fixed Sidelite, Surface Threshold.
2. Center the Threshold to both Jamb Tubes.
 - a. Ensure the full length of Threshold is flush with the chalk line.
3. Install the full length of (1) Ramp on each side of Threshold

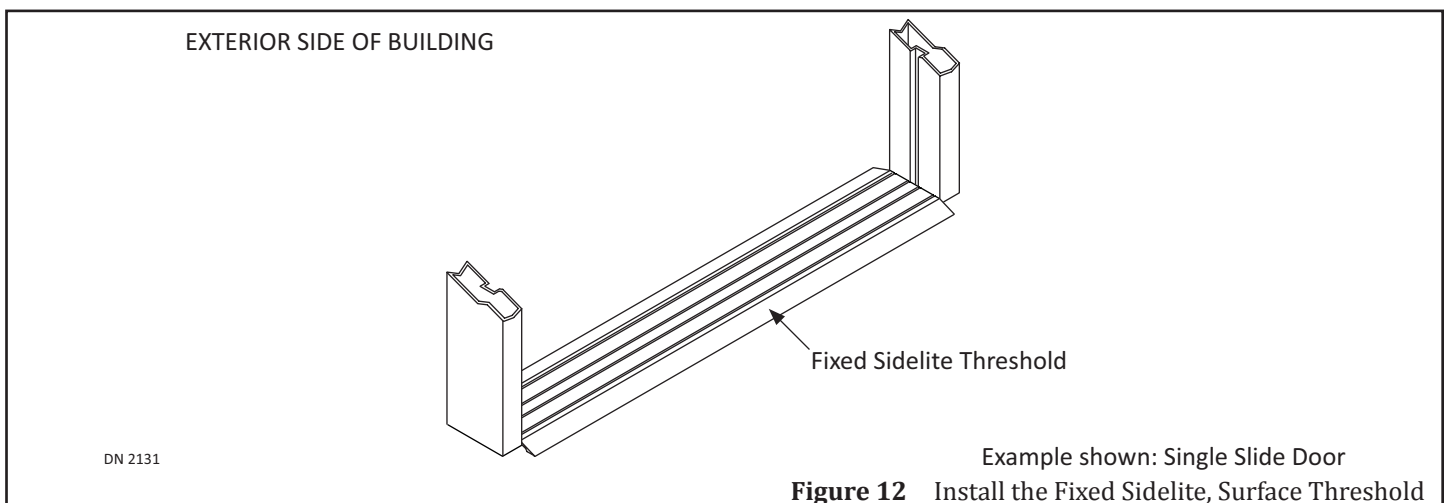


Figure 12 Install the Fixed Sidelite, Surface Threshold

CHAPTER 10: INSTALL THE RECESSED THRESHOLD

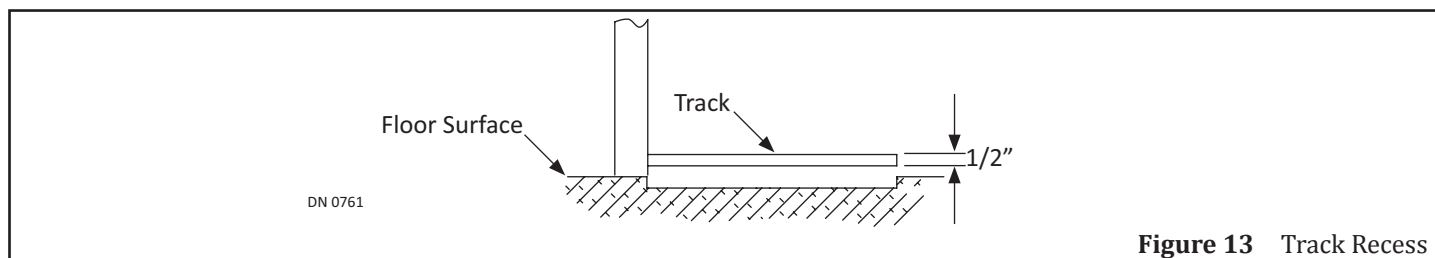


Figure 13 Track Recess

1. On both the Exterior and the Interior side of Door Frame, snap a chalk line on the floor from Jamb to Jamb.
2. Create a channel that is the full width of Jamb Tubes, and 1/2 inch deep.
3. Ensure the channel is plumb, square, and 1/2 inch deep throughout.
 - a. Failure to do so may cause the Slide door to malfunction.

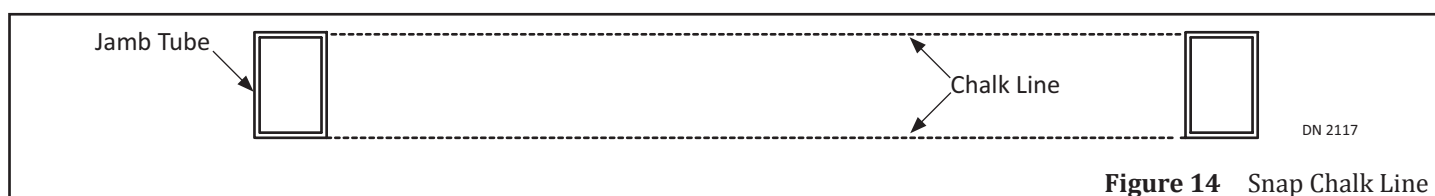


Figure 14 Snap Chalk Line

4. Center the following Threshold inside the channel so the full length is flush with the chalk lines:
 - ▶ Full Open Threshold
 1. With the Pivot Hole located on the Exterior Side of Building, center and then butt the F.O. Threshold to the Jamb Tube. Ensure Bumper Channels are on the same side of the Slide Door.
 2. Center the F.S. Threshold to the F.O. Threshold. Butt together both ends of Thresholds.
 - ▶ Fixed Sidelite Threshold
 1. Center the Threshold to both Jamb Tubes.
 2. Go to each end of Threshold. Mark (1) drill hole approximately 4" from each edge.
 3. Mark remaining drill holes to be evenly spaced.

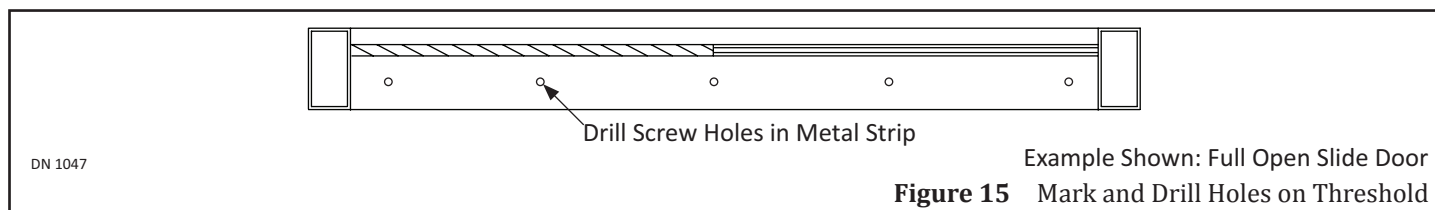


Figure 15 Mark and Drill Holes on Threshold

4. With a 1/4 inch masonry drill bit, drill through the Threshold and into the floor no less than 1-1/2 inch deep.
5. Secure the Recessed Threshold with Fasteners (not provided by NABCO).

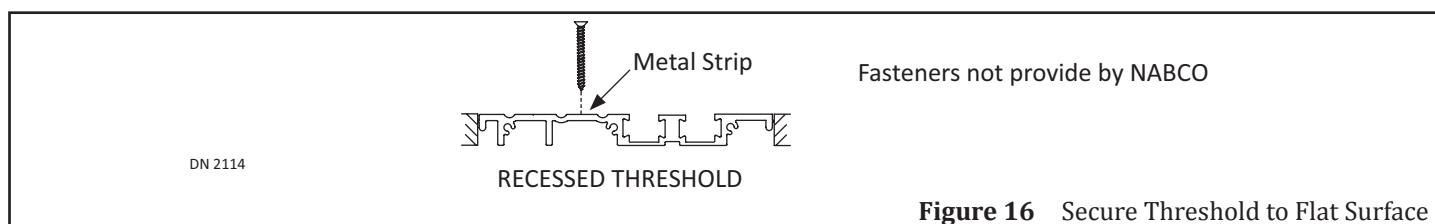


Figure 16 Secure Threshold to Flat Surface

CHAPTER 11: THRESHOLD MAINTENANCE

1. Check for wear of Bottom Guide Roller and Bumpers inserted within Threshold Channels.
2. Listen for squeaking/grinding noise.

3. Look for dirt/debris/excessive build-up. If dirt/debris/excessive build-up is found.
 1. Vacuum to remove loose material.
 2. Wipe off the Threshold.
 3. Use (1) slotted Screw Driver to remove dirt/debris and/or excessive build-up located within Threshold Channels.
4. Inspect weekly and daily during winter as snow and ice can build up.

CHAPTER 12: INSTALL THE FIXED SIDELITE PANEL

SECTION 12.1: Secure the Fixed Sidelite Panel to Door Frame

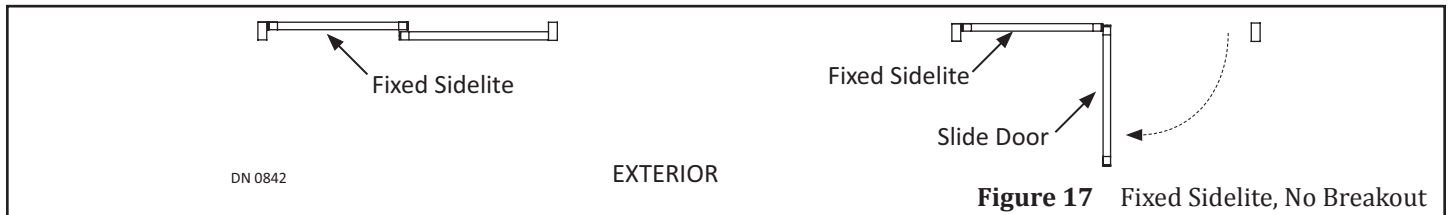


Figure 17 Fixed Sidelite, No Breakout

1. Go to the Lead Stile on the Sidelite Panel. Locate the Cut Out at the Top.
2. Locate (1) Mounting Bracket that was preinstalled under the Bottom Lip of Header.
3. Lift and then angle the Fixed Sidelite until the Mounting Bracket is seated inside the Cut Out.

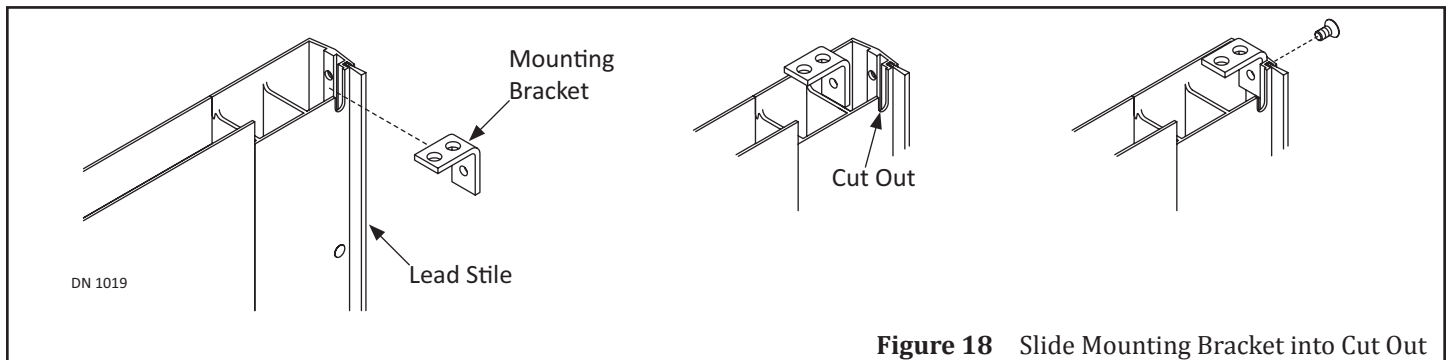


Figure 18 Slide Mounting Bracket into Cut Out

4. Move the Fixed Sidelite forward so the Pivot Stile does not scrape up against the (3) Mounting Brackets that were preinstalled on the Pivot Jamb Tube. There is room inside the Lead Stile for the Mounting Bracket to move around within.
5. Locate (3) Cut Outs on the side of the Pivot Jamb Tube.

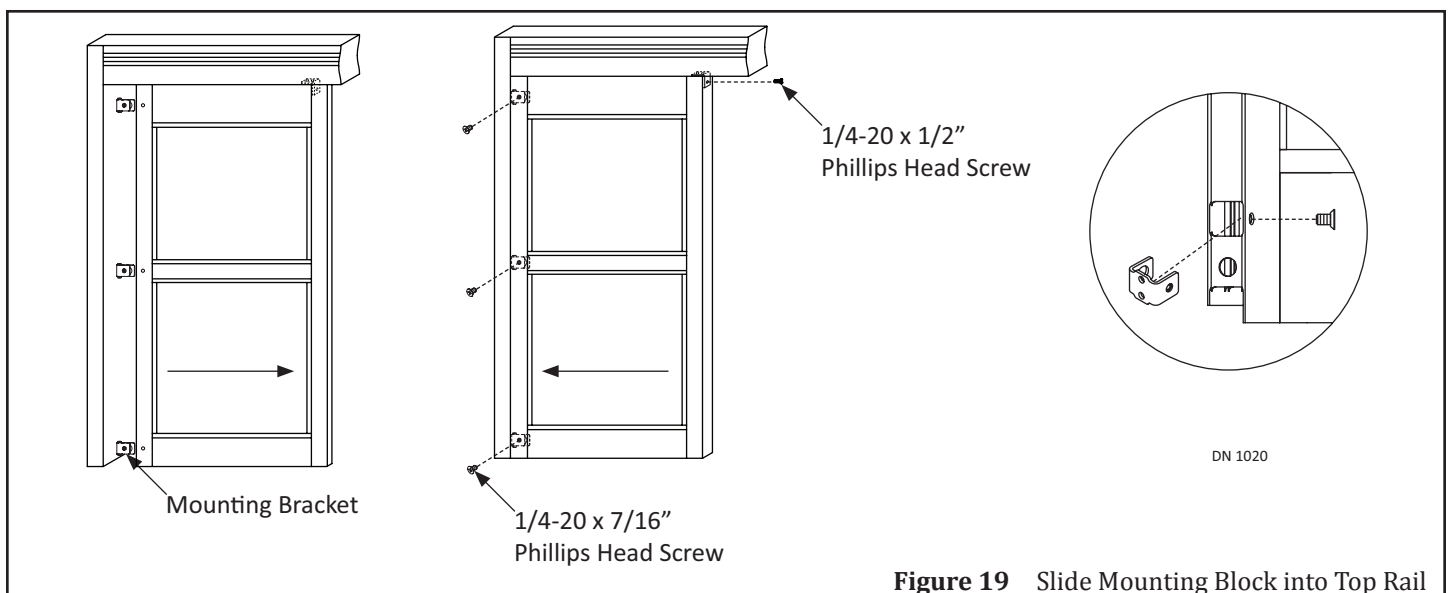
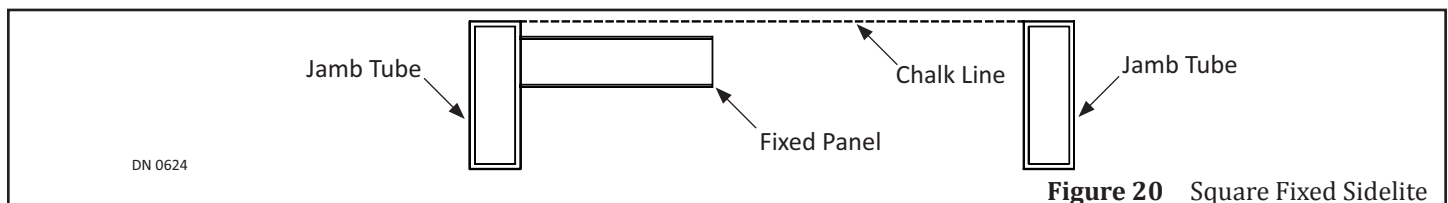


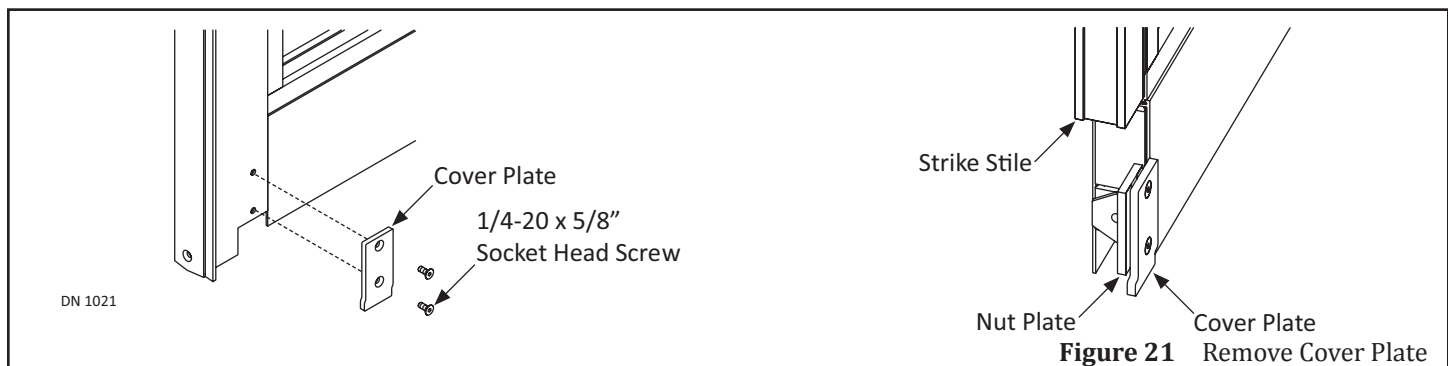
Figure 19 Slide Mounting Block into Top Rail

6. Align and then slide the Fixed Sidelite until (3) Mounting Brackets are seated inside each Cut Out.
7. Continue to slide the Fixed Sidelite towards the Interior of the Building until both Mounting Brackets butt up against the inside wall of the Pivot Stile.
8. Align all (4) Mounting Bracket screw holes with the Pivot Stile screw holes and the Lead Stile screw hole.
9. Secure (3) Mounting Brackets located on the Pivot Jamb Tube to the Fixed Sidelite with (3) 1/4-20 x 7/16 inch Phillips Head screws.
10. Secure (1) Mounting Bracket located under the Bottom Lip of Header with (1) 1/4-20 x 1/2 inch Flat Head Screw.
11. Snap a chalk line between Jamb tubes in front of Sidelite Panel. If the Fixed Sidelite runs parallel to the chalk line it is square.

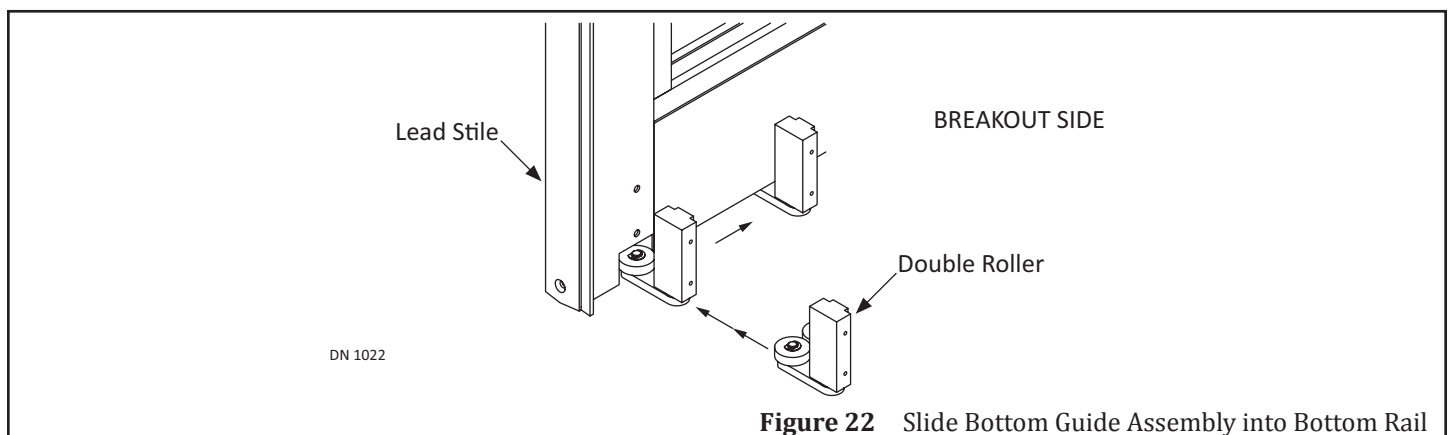


SECTION 12.2: Install the Double Roller Assembly

1. Go to the bottom of Lead Stile. Remove the Cover Plate and (2) pre-installed 1/4-20 x 5/8 inch Socket Head Screws.
 - a. A Nut Plate is Preinstalled onto the back face of the Lead Plate directly behind where the Cover Plate is located. Do Not remove the Nut Plate.



2. Obtain the Double Roller Assembly.
 - a. For Bi-Part Slide doors a Left Hand and a Right Hand Double Roller Assembly will be provided. Be sure to select the Double Roller that corresponds to the right side or the left side of door.
3. Install the Double Roller by sliding (2) rollers into the Bottom rail so the bracket sticks out from underneath in direction of where the Slide door is to be installed.
 - a. Push rollers back into Bottom Rail so the Floor Bracket can be installed.
 - b. Do not install Slide Door onto Bottom Guide Assembly at this time.



SECTION 12.3: Install the Floor Bracket

1. Insert the Threshold Bracket into the Bottom Rail so the plate portion with (2) screw holes sticks out from underneath in direction of where the Slide door is to be installed.
2. Ensure the Fixed Panel is still parallel to the chalk line so it remains square.
3. Secure the Threshold Bracket to the Lead Stile with (1) 1/4-20 x .5 inch Phillips Head screw.
4. Secure the Cover Plate back onto the Lead Stile with (2) 1/4-20 x .625 inch Socket Head screws.

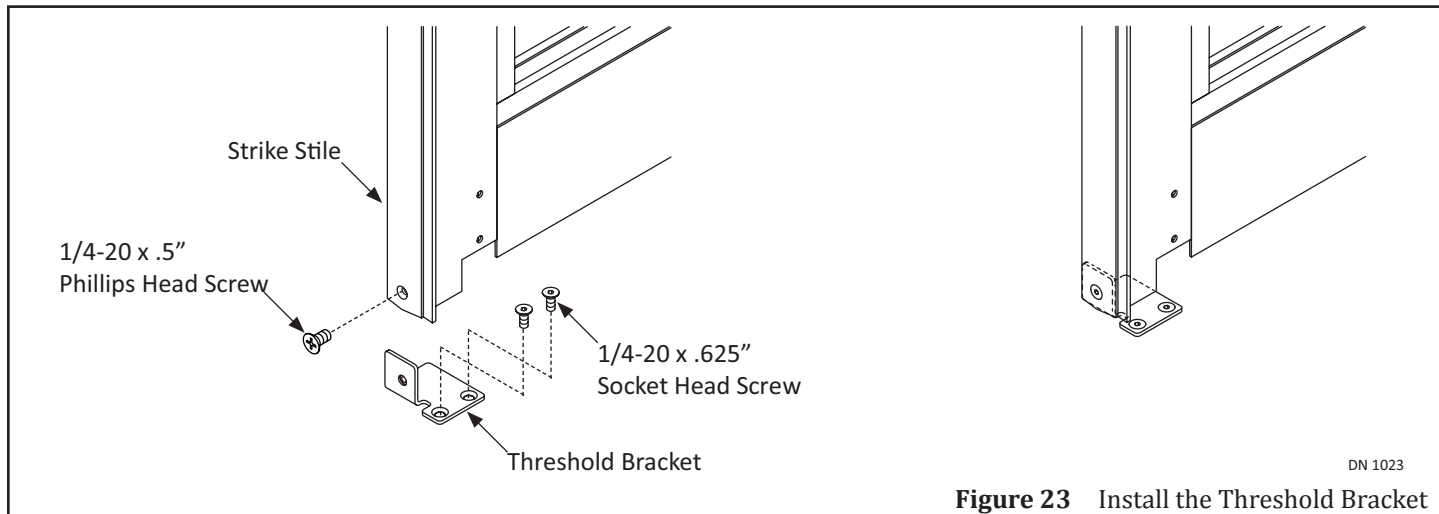


Figure 23 Install the Threshold Bracket

CHAPTER 13: INSTALL THE FULL OPEN SIDELITE PANEL

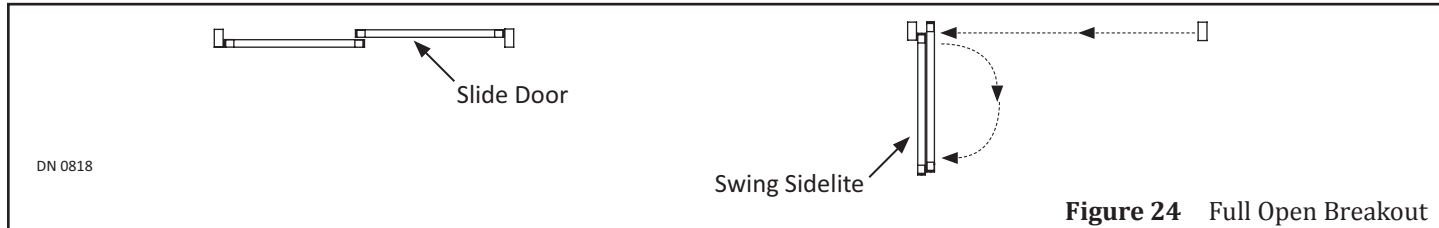


Figure 24 Full Open Breakout

SECTION 13.1: Install the Bottom Pivot

1. Obtain (1) Floor Pivot, (1) 1/4-20 x 1 inch Phillips Head screw, (1) 1/4 X 2-3/4 inch Flathead Tap Con, and (1) Bushing.
2. Insert the Floor Pivot into the hole located at the bottom of the Pivot Jamb Tube.
 - a. The insertion end of the Floor Pivot is notched at both sides. It will be necessary to tilt the Floor Pivot to interlock the notched sides with the Jamb Tube.

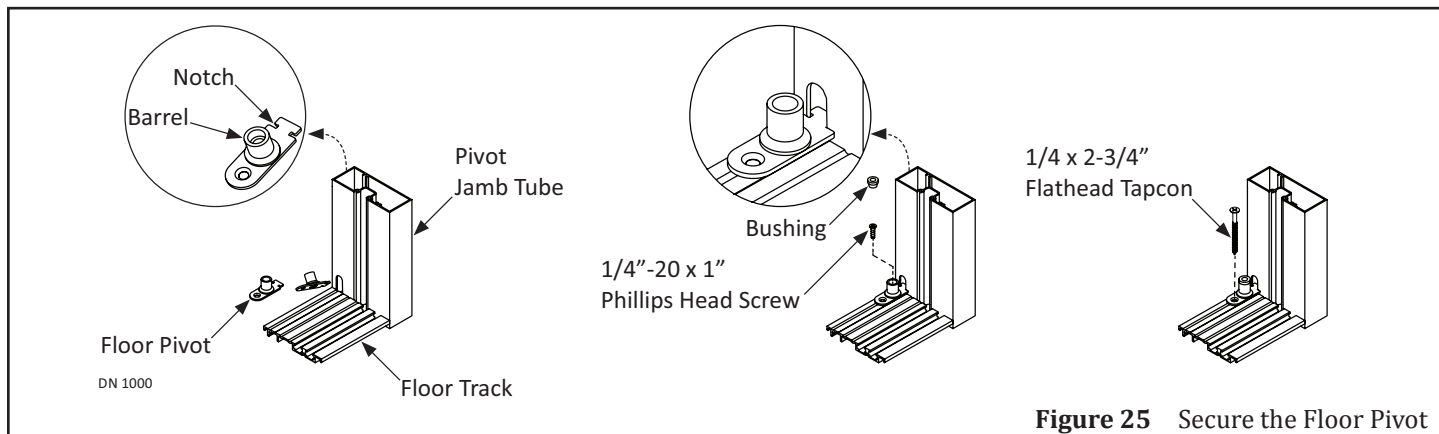


Figure 25 Secure the Floor Pivot

3. Insert (1) 1/4-20 x 1 inch Phillips Head screw into the Barrel of the Floor Pivot.
4. Secure the Floor Pivot to the Threshold. Cap the Barrel with (1) Bushing.
5. Go to the screw hole located in front of the Barrel.
6. With a 1/4 inch Masonry drill bit, drill through the Threshold at least 2-3/4 inches.
7. Secure the Floor Pivot to the Floor with (1) 1/4 X 2-3/4 inch Flathead Tapcon.

SECTION 13.2: Install the Limit Arm

1. Obtain (1) Limit Arm, (1) Washer, and (1) 1/4-20 x 1 inch Phillips Head screw.
2. Flip the Limit Arm so the Roller Guide is facing down, towards the Top Rail of Swing Sidelite.
3. Insert (1) 1/4-20 x 1 inch Phillips Head screw through the bottom of the Limit Arm (so the pointed end is facing up towards the Header).
4. Slide (1) Washer onto the exposed end of the 1/4-20 x 1 inch Phillips Head screw.
5. Go to the pre-drilled screw hole located at the bottom of Header (approximately 6 inches from the Pivot end).
6. Insert the 1/4-20 x 1 inch Phillips Head screw into the screw hole. Loosely tighten (just enough to keep the assembly from falling out of the screw hole).
 - a. Limit Arm installation is completed after the Swing Sidelite is attached to both Pivots.

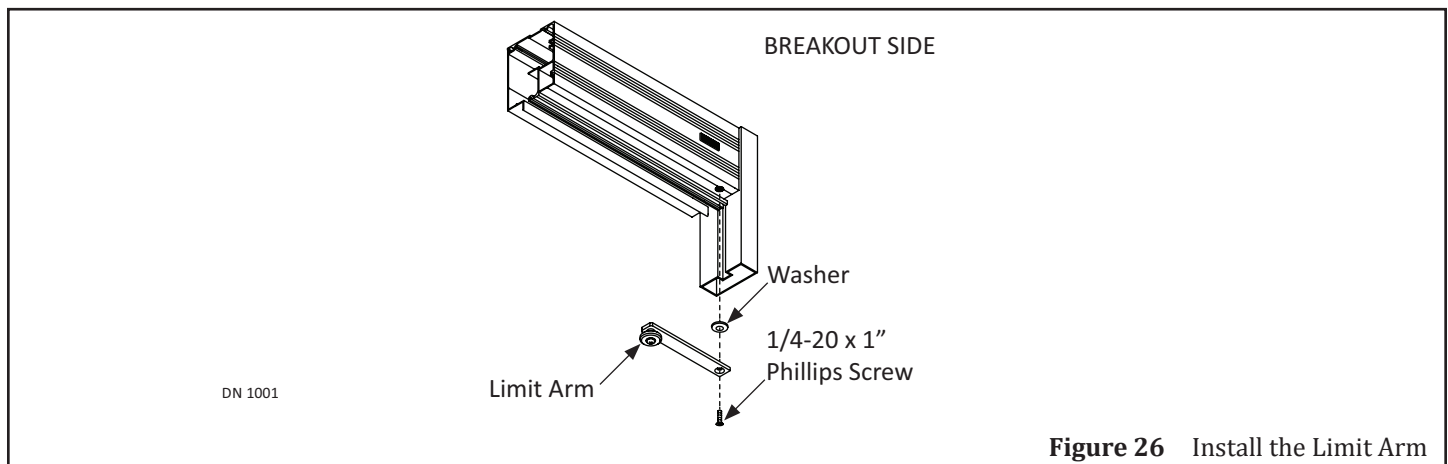


Figure 26 Install the Limit Arm

SECTION 13.3: Attach the Swing Sidelite to Pivots

1. Go underneath the Pivot Stile. Insert the Bottom Pivot into the Floor Pivot Barrel.

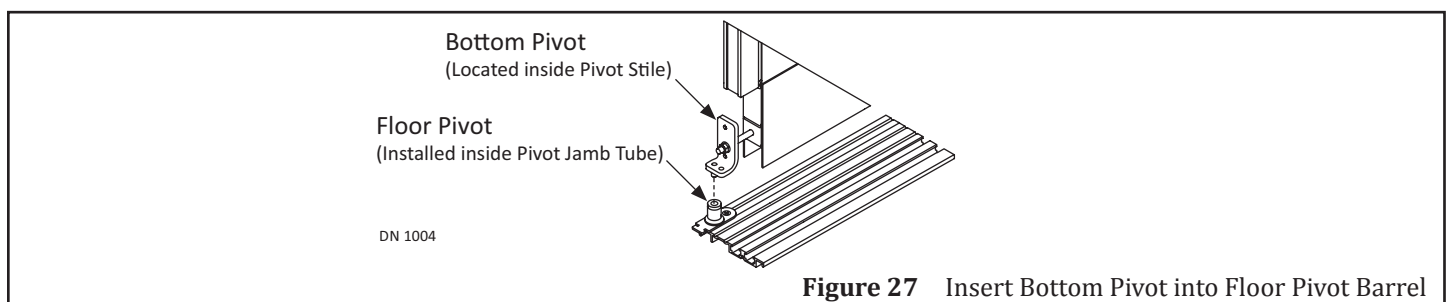
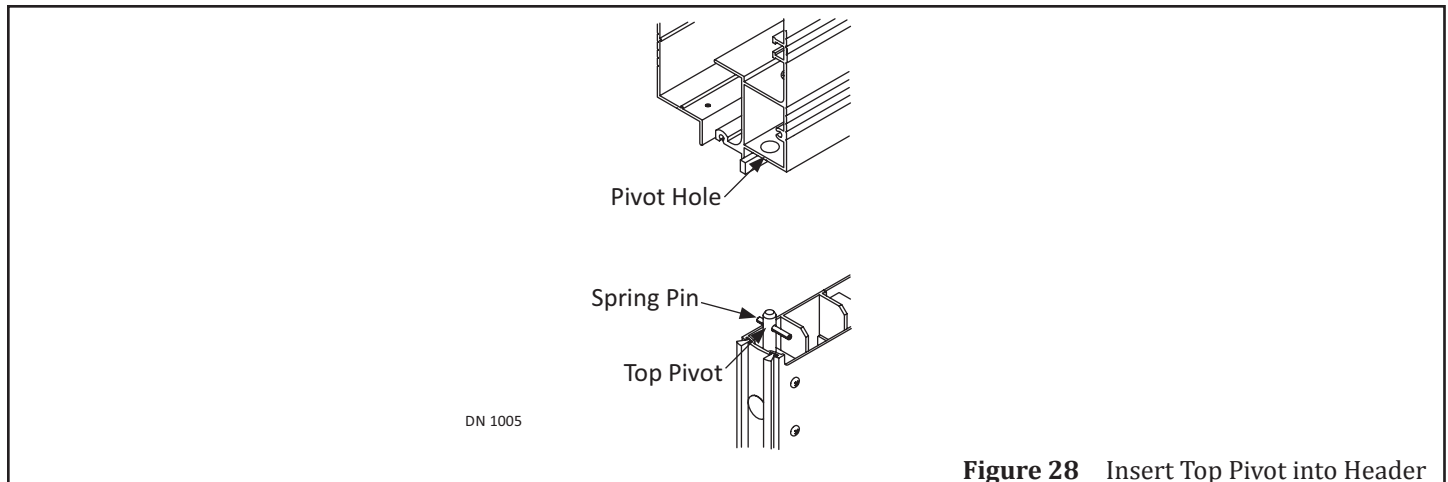


Figure 27 Insert Bottom Pivot into Floor Pivot Barrel

2. Go to the Top of the Pivot Stile. Locate the Top Pivot.
3. Push the Top Pivot down by pressing on the Spring Pin.
4. Align the Top Pivot with the Pivot Hole located at the bottom of Header.
5. Release the Spring Pin to allow the Top Pivot to snap up into the hole.
 - a. Ensure the Top Pivot fully engages the hole.
 - b. If necessary, use a flathead screwdriver to lift up on the Spring pin until the Pivot Pin is fully seated in the hole.
 - c. Ensure not to pinch Cable Wiring.

**Figure 28** Insert Top Pivot into Header

SECTION 13.4: Complete Installation of the Limit Arm

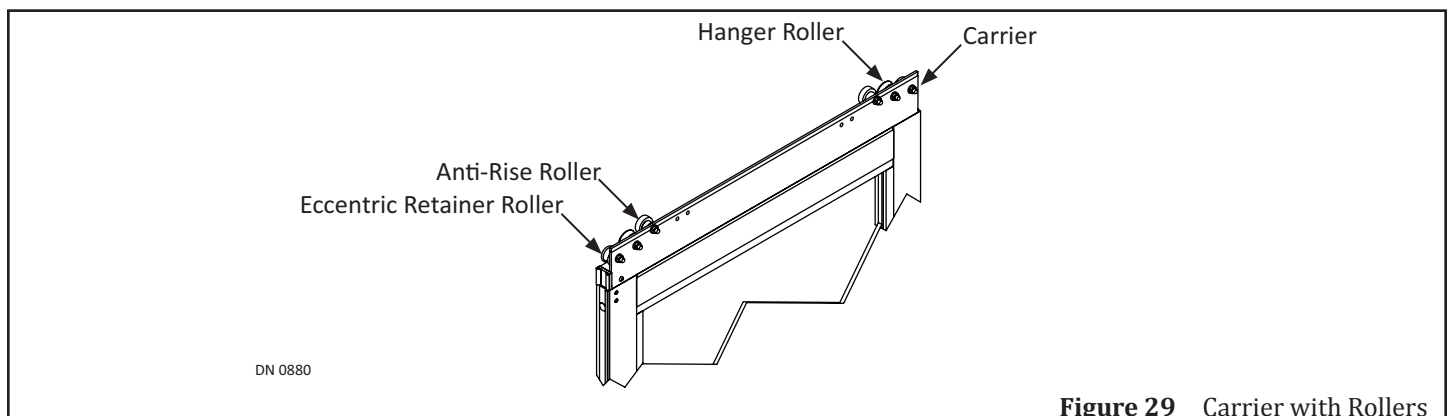
1. Open the Swing Sidelite out to 90 degrees.
2. Align the Limit Arm with the Top Rail.
3. Rest the Wheel of the Limit Arm inside the Top Rail.
4. Open the Swing Sidelite all the way.
5. Tighten the (1) 1/4-20 x 1 inch Phillips Head screw. Do not overtighten.
6. Test the Swing Sidelite to ensure it opens and closes properly.
 - a. Tighten and/or untighten the (1) 1/4-20 x 1 inch Phillips Head screw as necessary.

CHAPTER 14: INSTALL THE SLIDE DOOR

Attention: Installation of the Slide Door is the same for the Fixed Slide door, or the Full Open Slide door.

SECTION 14.1: Lift Carrier onto the Track

1. If glass is already installed, cover the Sidelite Panel with cardboard on the Non-Breakout side.
2. Go to the top of Carrier. Loosen (1) Nut on each Roller by inserting (1) 7/32" Allen wrench into the exposed end of a Roller Axle. Hold the 7/32" Allen wrench in place to keep the Roller Axle stationary. At the same time, loosen (1) 7/16-20 Whizlock nut with a 15/16" Open End Wrench.

**Figure 29** Carrier with Rollers

3. Lift and then slightly tilt the Slide door to make it easier for the (6) Rollers to 'catch' onto the Track.

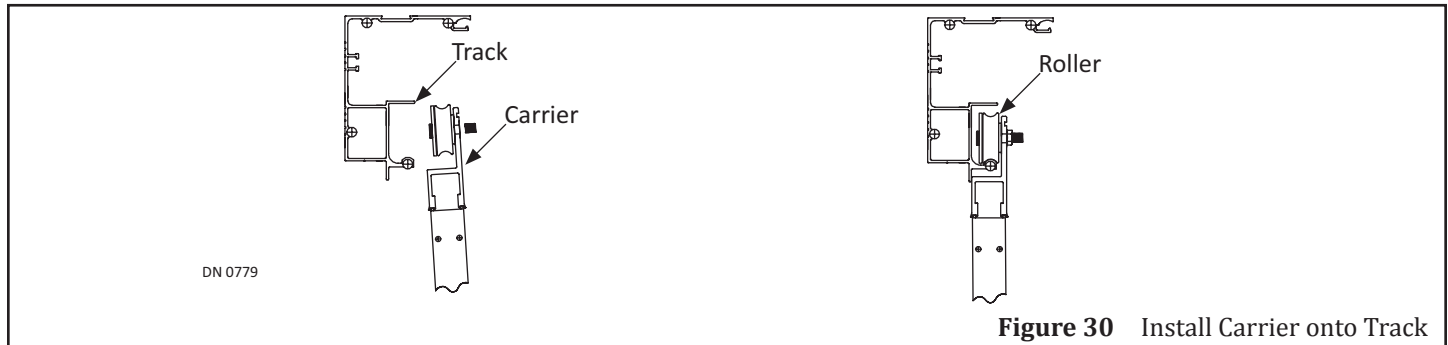


Figure 30 Install Carrier onto Track

SECTION 14.2: Secure Belt Clip to Carrier

1. Go to the Lead Side of Carrier. Line up (2) screw holes located on the Carrier with (2) screw holes located at the bottom of the Belt Clip bracket.
2. Secure the Belt Clip to the Carrier with (2) 1/4-20 x 3/4 inch Tri-Lobe Head screws provided by NABCO.

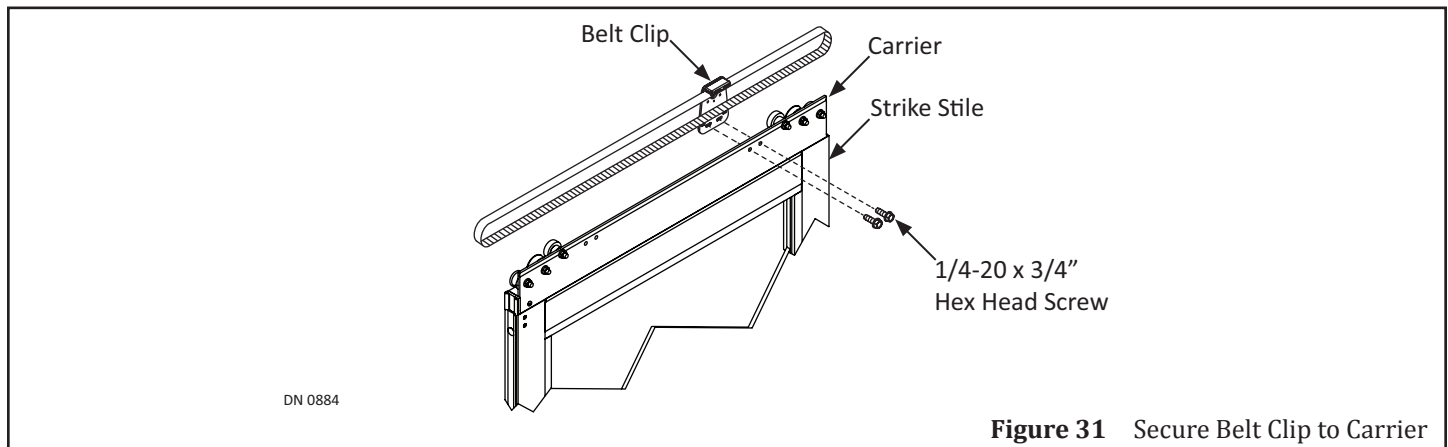


Figure 31 Secure Belt Clip to Carrier

SECTION 14.3: Install the Bottom Guide Assembly

14.3.1. Without Floor Track

1. Go to Bottom Rail of Fixed Sidelite. Locate the Double Roller Assembly previously installed. The Bracket will be sticking out from underneath.

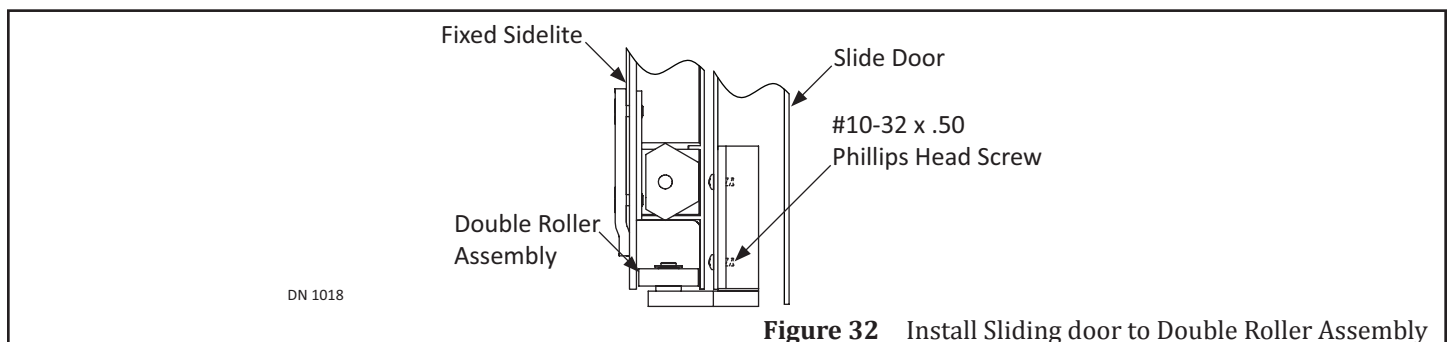


Figure 32 Install Sliding door to Double Roller Assembly

2. Slide the door onto the Bracket portion of the Double Roller Assembly.
3. Breakout the Slide door to Full Open position. Support the weight of the Slide door.
4. Line up Bracket screw holes to the (2) pre-drilled screw holes located on Bottom Rail.
5. Secure Bracket to the Bottom Rail with (2) #10-31 x .50 Phillips Head screws.

14.3.2. With Floor Track

Notice: Please refer to the following manuals that have been packed within the Decal Packet:

- NOA Impact Installation Manual, P/N C-00358
- NOA Non-Impact Installation Manual, P/N C-00359

1. Go to Bottom Rail of the Slide door. Locate the Bottom Guide Assembly that was preinstalled inside the Lead Stile.
2. Lift up the Prongs until the Bottom Guide is directly above the Guide Channels.
3. Allow the Prongs to drop down into the Guide Channels.
4. Obtain screws and anchors per NOA Documentation.
 - a. NABCO does not supply screws and anchors to secure the Floor Track.
 - b. The number of screws and anchors depends upon length of Floor Track.

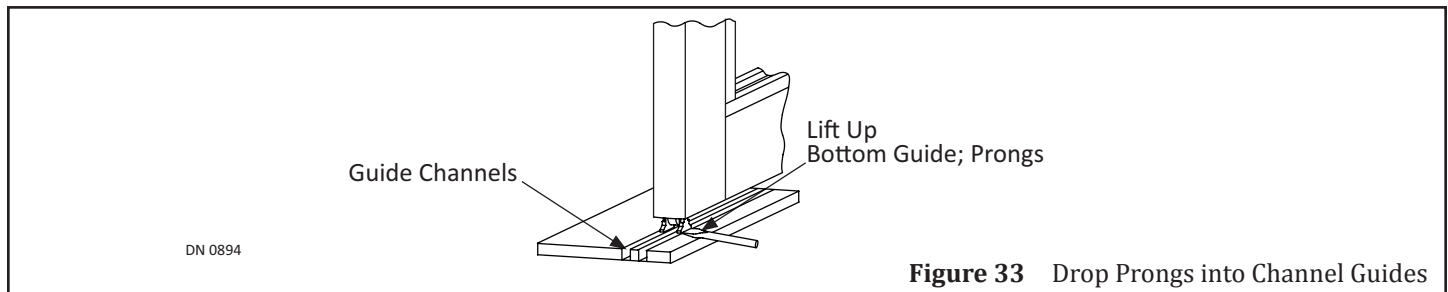


Figure 33 Drop Prongs into Channel Guides

CAUTION

Do not test Breakout until all adjustments are made and doors are secured.

CHAPTER 15: ADJUSTMENTS

SECTION 15.1: Adjust Rollers on Carrier

CAUTION

Do Not rotate the Roller Axle counter-clockwise. Doing so will unthread the Axle.

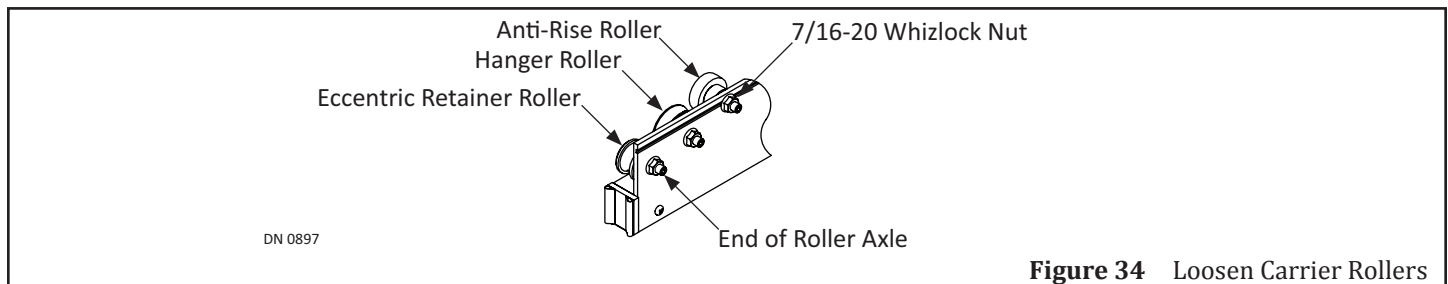


Figure 34 Loosen Carrier Rollers

1. To loosen a Roller, insert a 7/32" Allen wrench into the exposed end of a Roller Axle.
2. Hold the 7/32" Allen wrench in place to keep the Roller Axle stationary. At the same time, loosen (1) 7/16-20 Whizlock nut with a 15/16" Open End Wrench.

SECTION 15.2: Hanger Rollers

Hanger Rollers are used to:

- ▶ Evenly distribute weight of the Slide door.
 - ▶ Adjust height of the Slide door.
 - ▶ Adjust the Leading edge of the Slide door at the top and bottom so it is parallel to another Slide Door (Bi-Part), or the Lead Jamb Tube (Single), and the Header.
1. Loosen (2) Hanger Rollers located between the Anti-Rise Roller and the Eccentric Carrier Roller.
 2. Raise or lower the Slide door by turning the Axle clockwise with a 15/16" Open End Wrench.
 - a. The appropriate gap between the Bottom Rail and floor is between 11/16 inch to 15/16 inch; with the nominal gap being 7/8 inch.
 3. Ensure the Leading Edge of the Slide door and (other Slide door or Jamb Tube) are parallel.

4. Ensure the Leading Edge of the Slide door and Header are parallel.
5. Retighten the 7/16-20 Whizlock nuts. Do not overtighten.

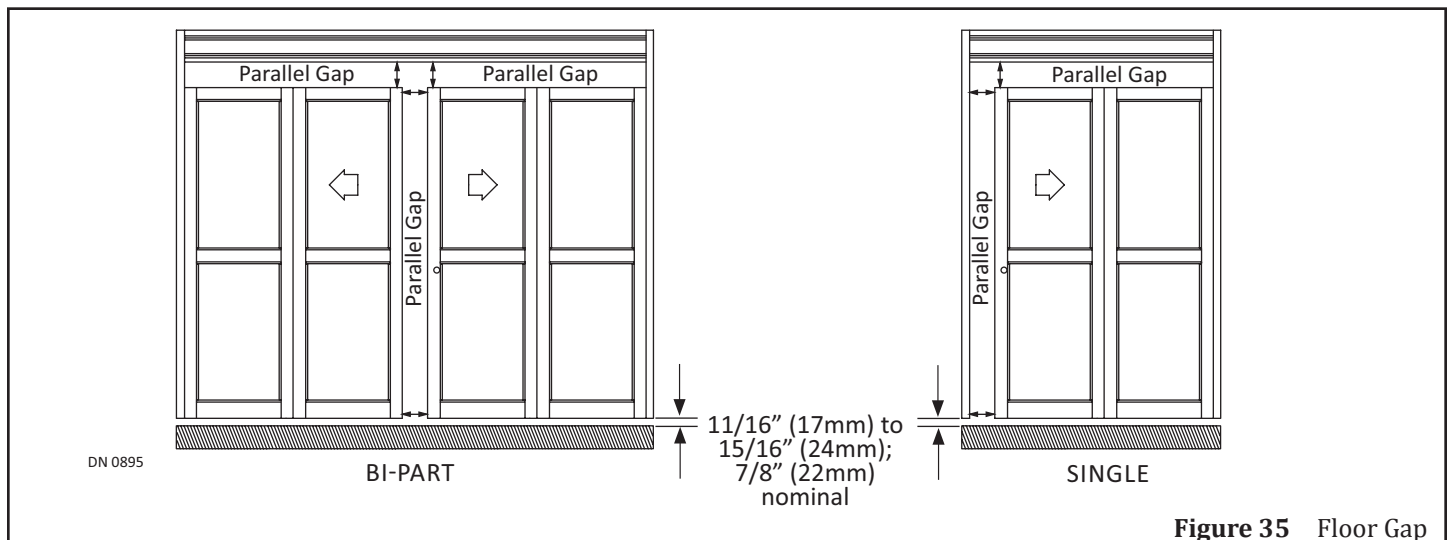


Figure 35 Floor Gap

SECTION 15.3: Anti-Rise Rollers

CAUTION

Ensure (1) Anti-Rise Bracket is aligned directly above each Anti-Rise Roller.

1. Fully close Slide Door. Ensure each Anti-Rise Bracket is aligned directly above each Anti-Rise Roller. If not, go to the Anti-Rise Bracket and loosen (1) 3/8-16 Whizlock Nut with a 9/16 inch wrench.
2. Slide the Anti-Rise Bracket to the left or right. Retighten screws. Do not overtighten.

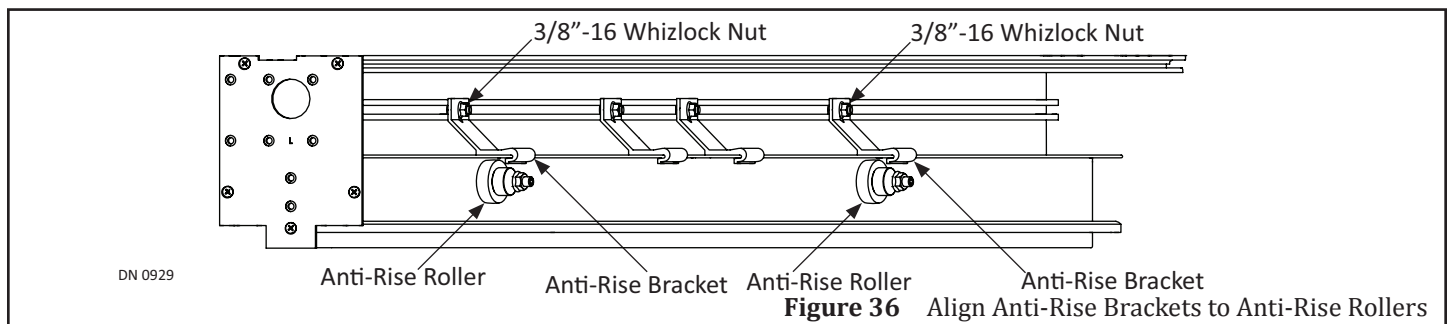


Figure 36 Align Anti-Rise Brackets to Anti-Rise Rollers

3. Loosen (2) Anti-Rise Rollers located towards the middle of the Carrier.
4. Turn the Axle clockwise until there is a 1/64 inch to 1/32 inch gap between the Roller Wheel and the Top Track.
 - a. Gap should be about the same thickness of a credit card.
5. Retighten the 7/16-20 Whizlock nuts. Do not overtighten.

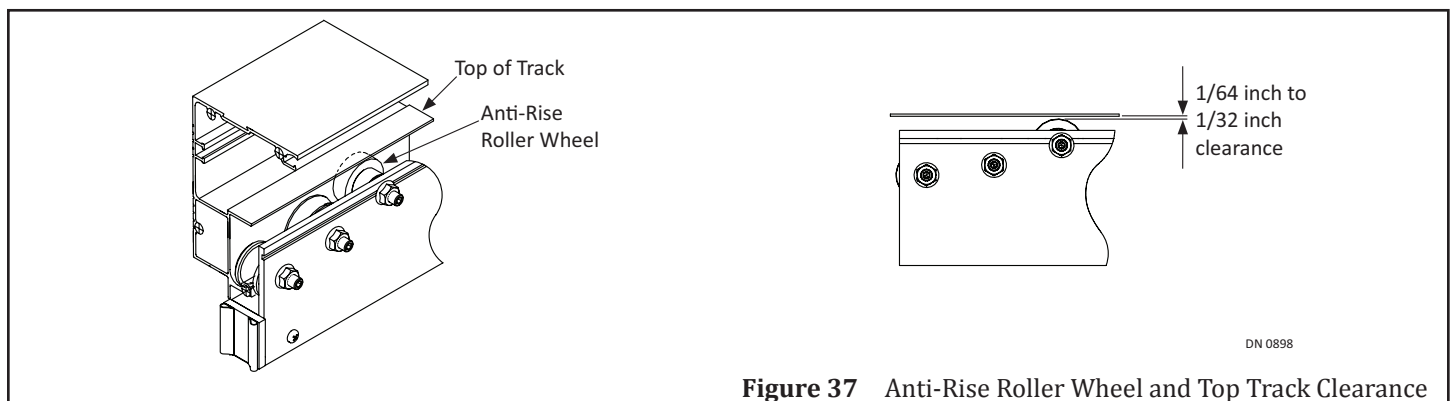
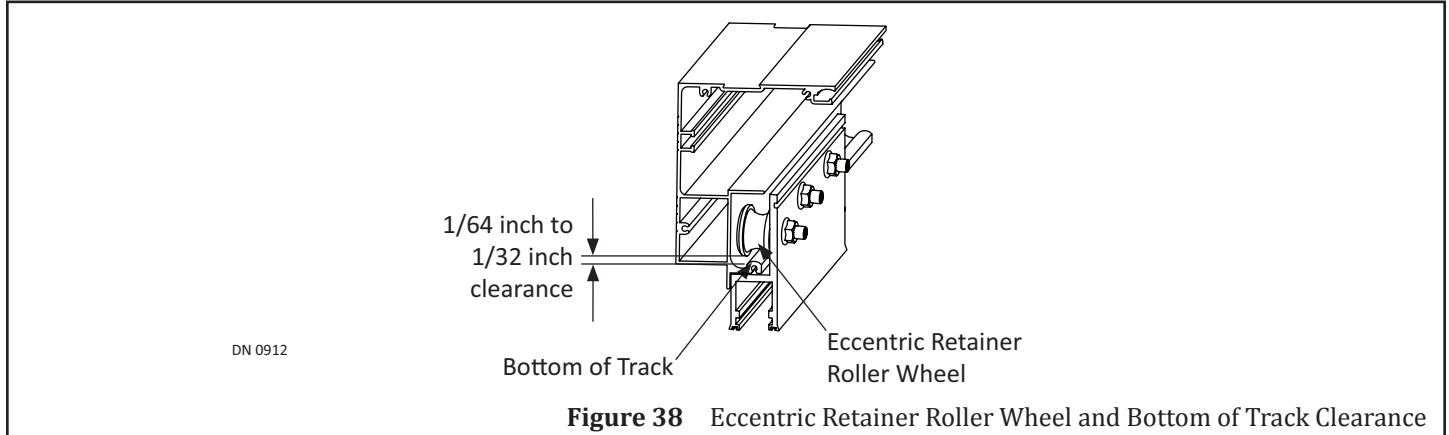


Figure 37 Anti-Rise Roller Wheel and Top Track Clearance

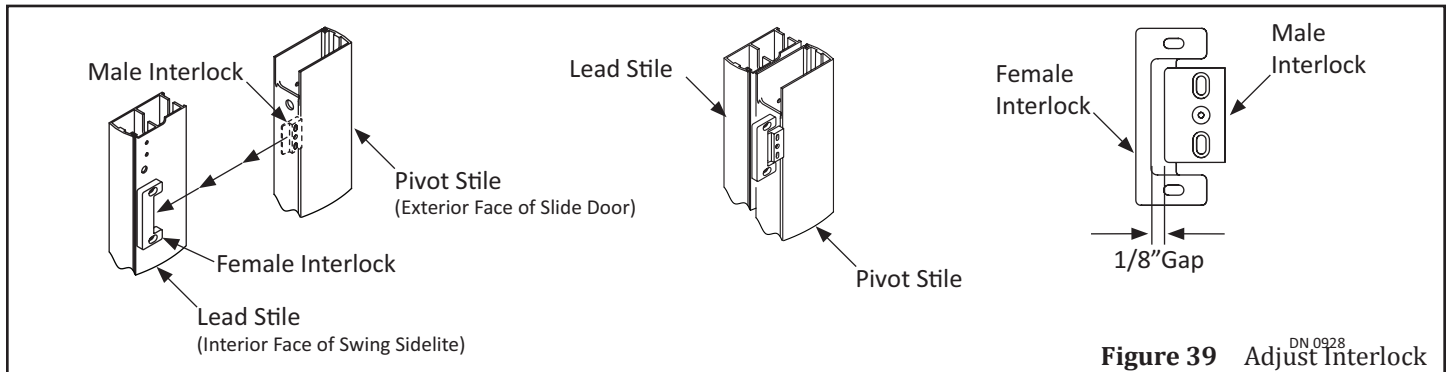
SECTION 15.4: Eccentric Retainer Rollers

1. Loosen (2) Eccentric Retainer Rollers located at the edge of Carrier.
2. Turn the Axle clockwise until there is a 1/64 inch to 1/32 inch gap between the Roller Wheel and the Bottom Track.
3. Gap should be about the same thickness of a credit card.



SECTION 15.5: Adjust the Interlock

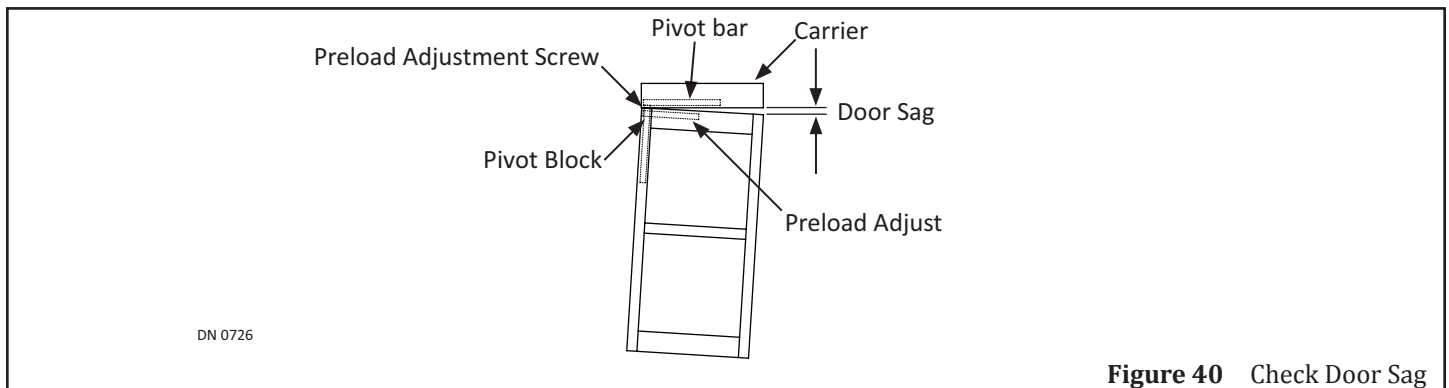
1. Manually close the Slide Door. Ensure there is approximately 1/8 inch gap between the Male Interlock and Female Interlock.
 - a. The Slide door will not operate properly if the gap is less than 1/8 inch.
2. Loosen mounting screws to adjust one or both Interlocks.
3. Retighten Mounting screws once gap is appropriate width.



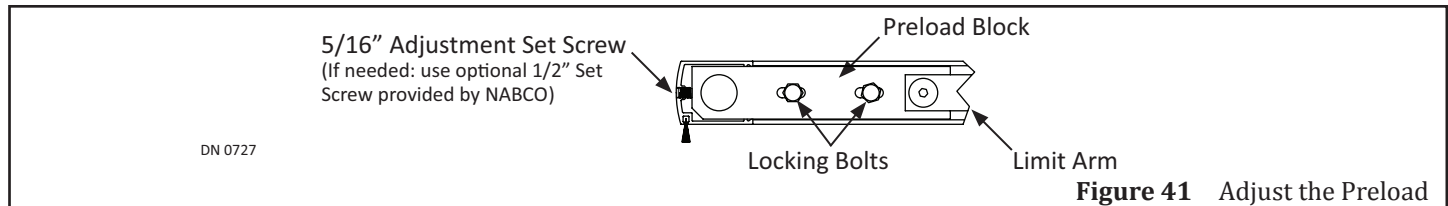
SECTION 15.6: Adjust Preload

Attention: Glass must be installed first before adjusting Preload on Slide Door.

1. Support the weight of Slide door.
2. Breakout the Slide door approximately 5 degrees (just enough to expose the Preload Adjustment Screw). Check for door sag.

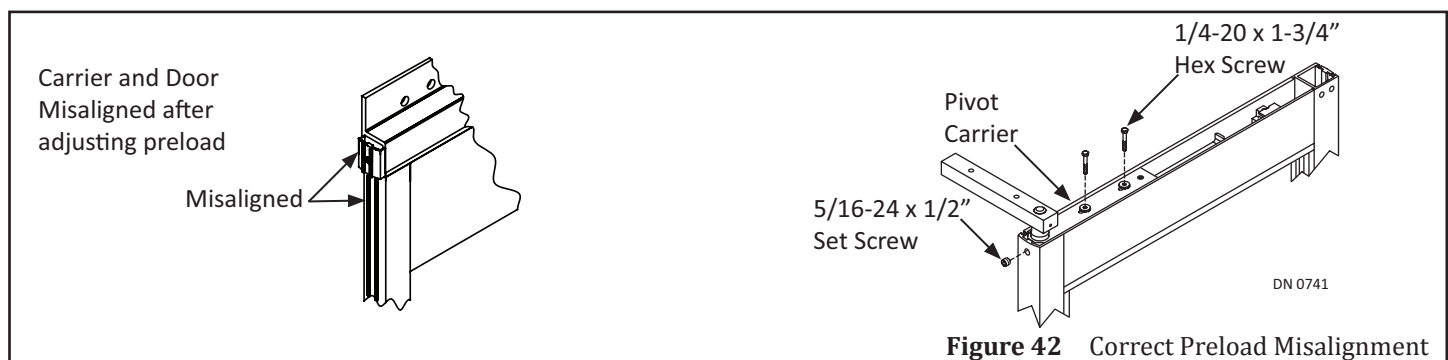


3. Go to the Preload Block located inside Top Rail. Loosen (2) Locking Bolts.
4. Go to the back edge of Pivot Stile. Reduce Door sag by tightening the 5/16 inch Adjustment Set Screw with an 5/32 inch Allen Wrench.
 - a. The Door should latch without having to be manually lifted.
 - b. Do Not allow the Adjusting Set Screw to protrude more than 5/32 inch past the end of stile.
 - c. If deemed necessary: an optional 1/2 inch Set Screw has been provided by NABCO.



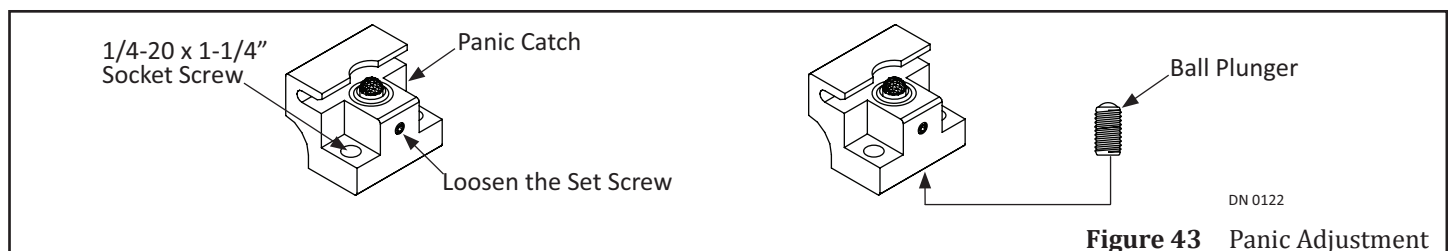
SECTION 15.7: Correct Preload Misalignment

1. Breakout the Slide Door. Go to the top of Pivot Stile. Loosen the 5/16-24 x 1/2 Set Screw.
2. Go inside the Top Rail. Loosen (2) 1/4-20 x 1-3/4 inch Hex Screws used to secure the Preload Block to the Top Rail.
3. Slide the Pivot Carrier back or forth until the Endcap is aligned with the Pivot Stile.
4. Fully close the Slide Door to ensure the Preload is aligned. Retighten the Hex Screws.



SECTION 15.8: Adjust Pressure of the Bottom Panic Catch

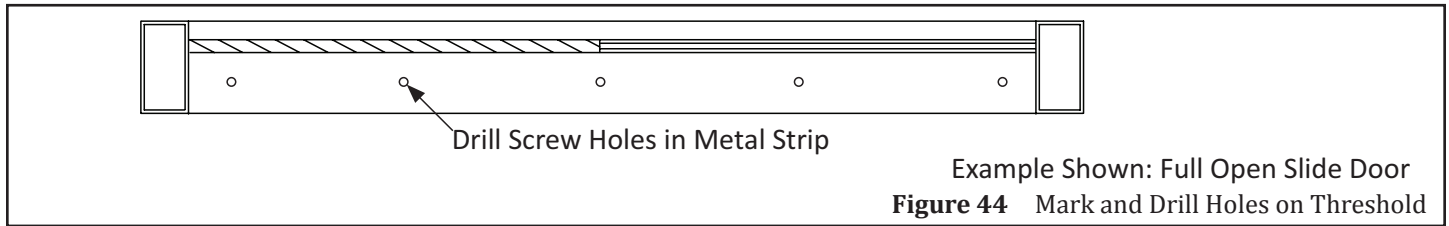
1. Breakout the Slide door. Go inside the Top Rail (closest to the Lead Stile).
2. Remove the Panic Catch.



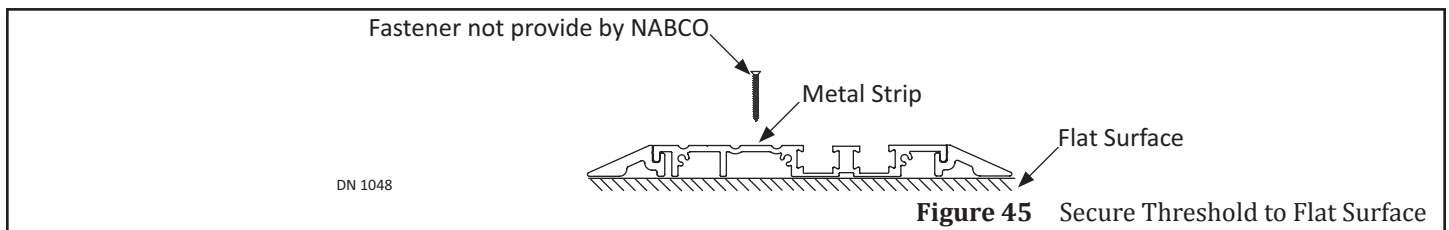
3. Loosen the Set screw that is located in front of the Panic Catch.
4. Go underneath the Panic Catch. Raise or lower the Ball Plunger to adjust the engagement.
 - a. The Ball Plunger must be adjusted for proper breakout resistance to meet ANSI A156.10 code and/or local code.
 - b. Use minimal engagement if Panic Hardware is used.
5. Tighten the Set screw. Secure the Panic Catch Release inside the Carrier with (2) 1/4-20 x 1-1/4 inch Socket Head screws.

CHAPTER 16: FINISH INSTALLING THE SURFACE THRESHOLD

1. Go to each end of Threshold. Mark (1) drill hole approximately 4" from each edge.
2. Mark remaining drill holes to be evenly spaced.



3. With a 1/4 inch masonry drill bit, drill through the Threshold and into the floor no less than 1-1/2 inch deep.
4. Secure the Threshold with Fasteners (Not provided by NABCO).



CHAPTER 17: 110 VAC GENERAL WIRING

DANGER

Read and understand the “U30 Controller Setup and Programming Manual” P/N 15-9000; and the “Electrical Installation Manual U30 Control” P/N 15-10596-30 before attempting to power-up the GT1175 Slide Door. Failure to do so may result in damage to the Slide door and/or injury to the installer and will nullify all warranties.

DANGER

Disconnect power to the junction box prior to making any electrical connections. Failure to do so may result in serious personal or fatal injury. When uncertain whether power supply is disconnected, always verify using a voltmeter.

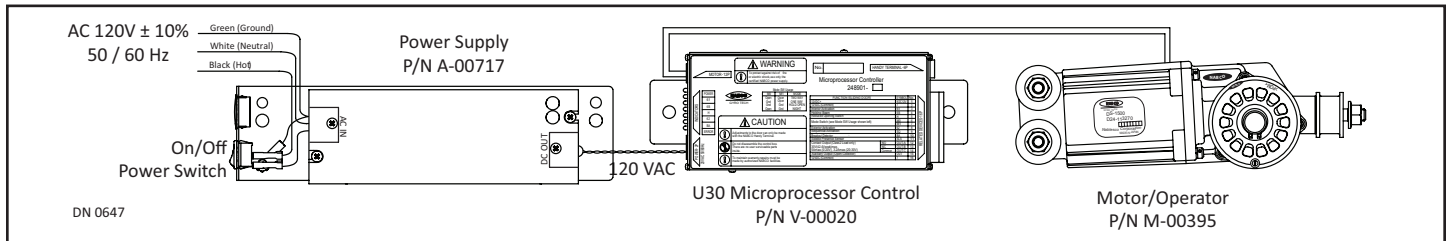
Notice: Wiring must meet all local, state, federal or other governing agency codes.

Attention: Electrical circuit to Nabco operator must not be not shared with other equipment such as lighting, cash registers, or any device that might cause electrical interference on the circuit.

1. Ensure all power is disconnected at the Junction box and the 1175 Slide Door. Determine correct voltage is 115 VAC ± 10%.
2. Insert all incoming 120VAC power wires into the access hole located on Jamb Tube. It is recommended to house all wires into an Electrical Conduit.

CAUTION

Keep all incoming 120 VAC wiring separate from low voltage wiring within Header. Do not route 120 VAC wires near the U30 Microprocessor Controller and Motor/Operator.



3. Go to the TB1 Port located on the Left side of the Power Supply Module.
4. Insert the Incoming 120 VAC Black (HOT) wire into the Circuit marked “L”.
5. Insert the Incoming 120 VAC White (Neutral) wire into the Circuit marked “N”.

6. Insert Green (Grounding) wire into the Circuit marked "PE".
7. Ensure the Slide door system is Grounded for safe and consistent operation.

CHAPTER 18: INSTALL WEATHERING

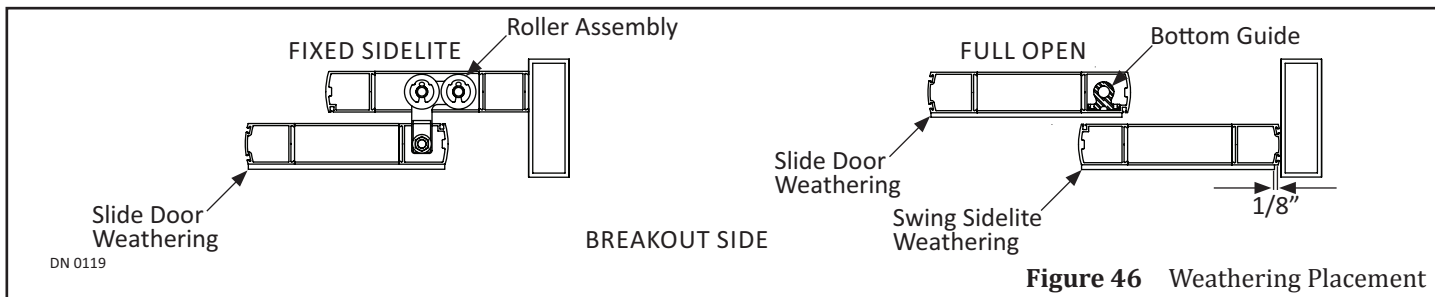


Figure 46 Weathering Placement

SECTION 18.1: Fixed Sidelite Slide Door

1. Secure Brush Holder to Bottom Rail of Slide door with #6 x 1/2 inch self tapping screws.

SECTION 18.2: Full Open

1. Secure Brush Holder to Bottom Rail of Swing Sidelite with #6 x 1/2 inch self tapping screws.
2. Breakout the Swing Sidelite. Secure Brush Holder to Bottom Rail of Slide door with #6 x 1/2 inch self tapping screws.

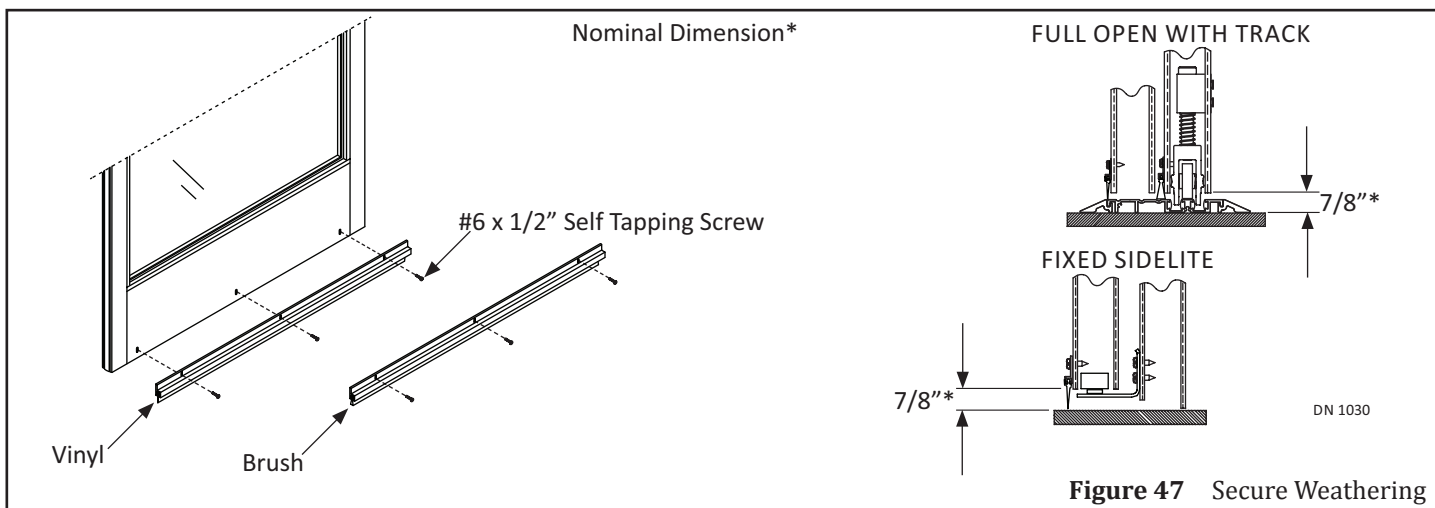


Figure 47 Secure Weathering

SECTION 18.3: Apply Caulking Bead

1. Ensure the entire Door Frame is properly secured to the Rough Opening.
2. Apply caulking bead between the Door Frame and Rough Opening (inside and outside).

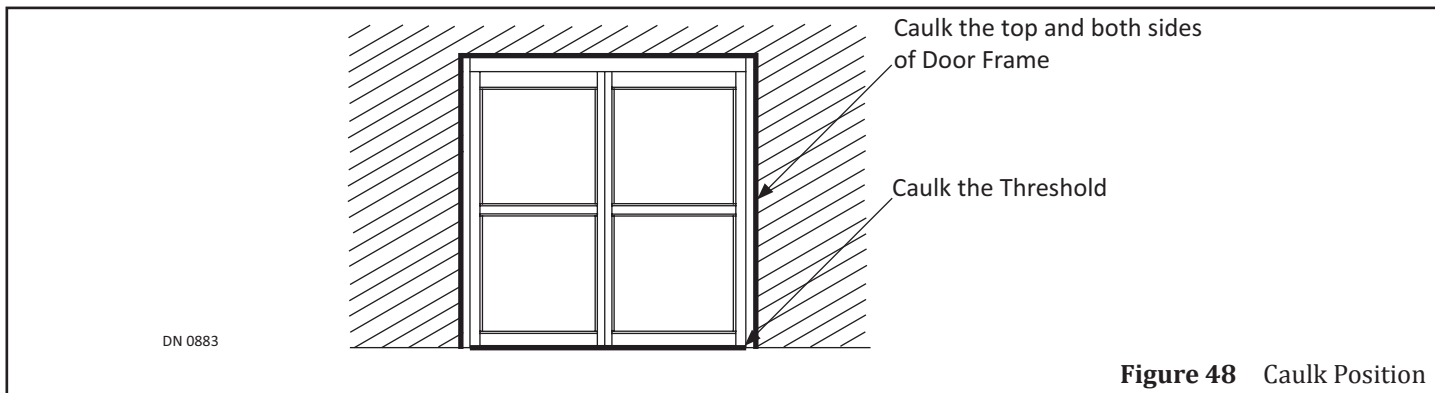


Figure 48 Caulk Position

CHAPTER 19: GLAZING

CAUTION

Use caution when moving and installing the glass panels. These panel are constructed with tempered glass. Any sharp objects that come in contact with the glass may cause the glass to craze. NABCO Entrances, Inc. is not responsible for broken glass.

Attention: Per Chapter 24 of the International Building Code (IBC), all glass must comply with ANSI Standard Z97.1 (Glass and Settings Blocks are not provided by NABCO).

Note: In accordance with standard glazing practices, NABCO recommends Cross Blocking to maintain square door panels. A panel that is cross blocked will not sag.

Note: The Snap Base and Glazing Gaskets are preinstalled at the NABCO Factory.

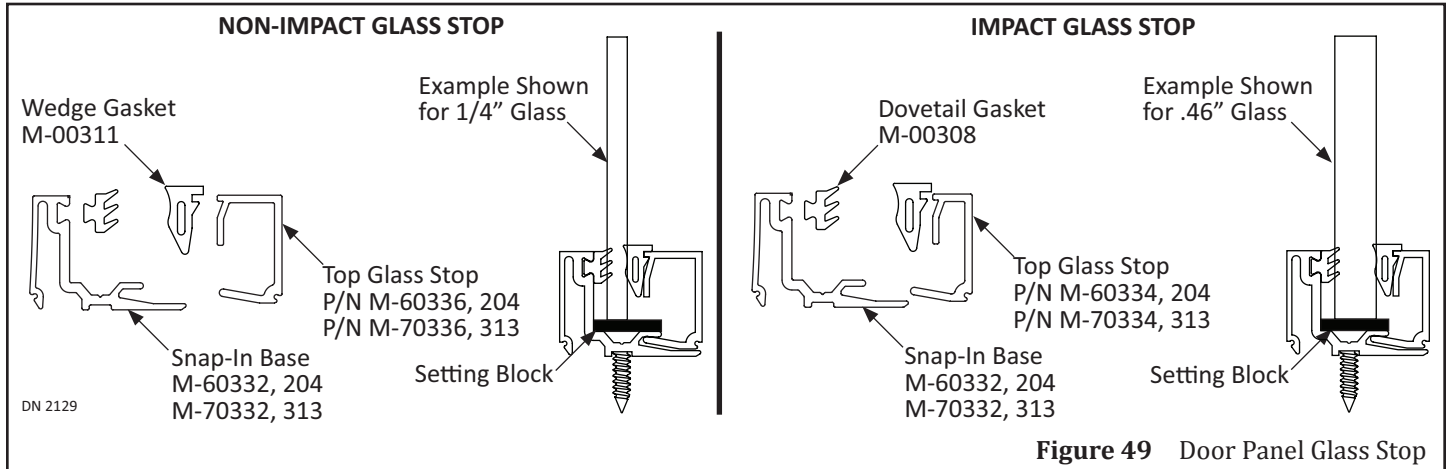
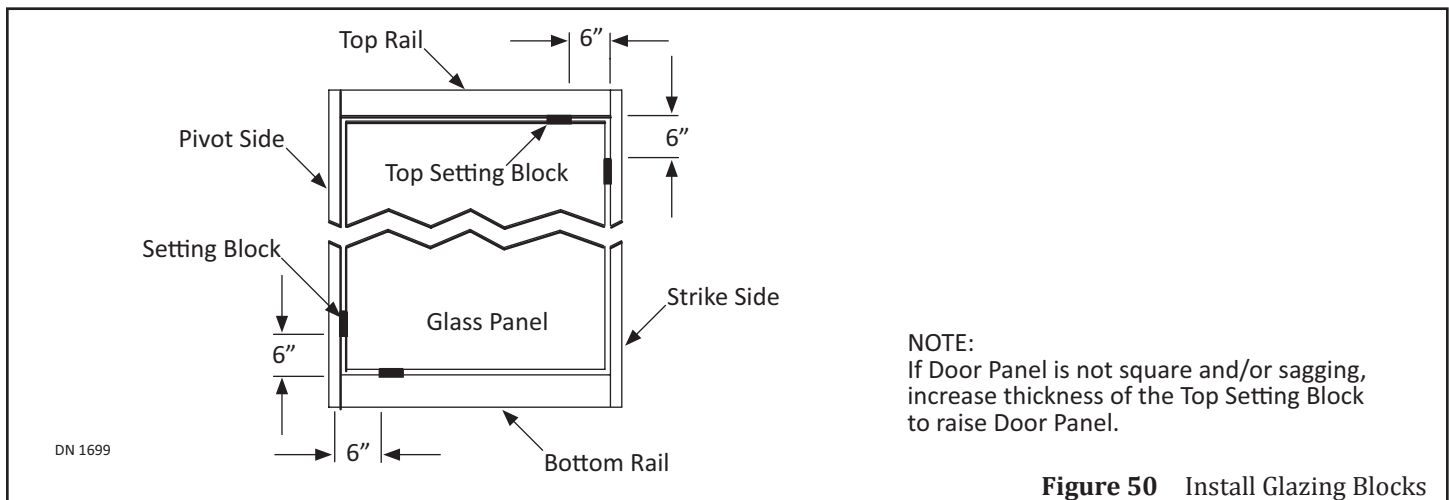


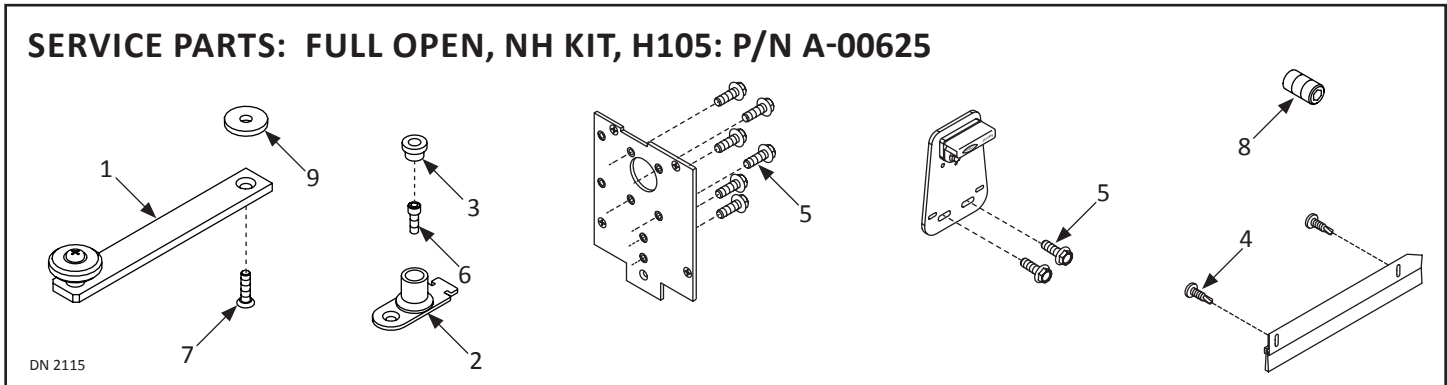
Figure 49 Door Panel Glass Stop

1. Go to the Lead side of door panel at the TOP.
 1. Measure (6) inches from the Bottom edge of Top Rail, towards the Pivot side of Door Panel. Mark that spot.
 2. Measure (6) inches from the Top Corner of the Lead Edge down to the bottom of the Door Panel. Mark that spot.
2. Go to the PIVOT side of door panel at the BOTTOM.
 1. Measure (6) inches from the Top edge of Bottom Rail, up to the top of Door Panel. Mark that spot.
 2. Measure (6) inches from the Center of Pivot, towards the Lead side of Door Panel. Mark that spot.
3. Place (1) Setting Block (not provided by NABCO) at marked spots.
4. Measure diagonals to check the squareness of the Door Panel.
5. Snap the Top Glass Stop onto the Snap-In Base.



NOTE:
If Door Panel is not square and/or sagging, increase thickness of the Top Setting Block to raise Door Panel.

Figure 50 Install Glazing Blocks

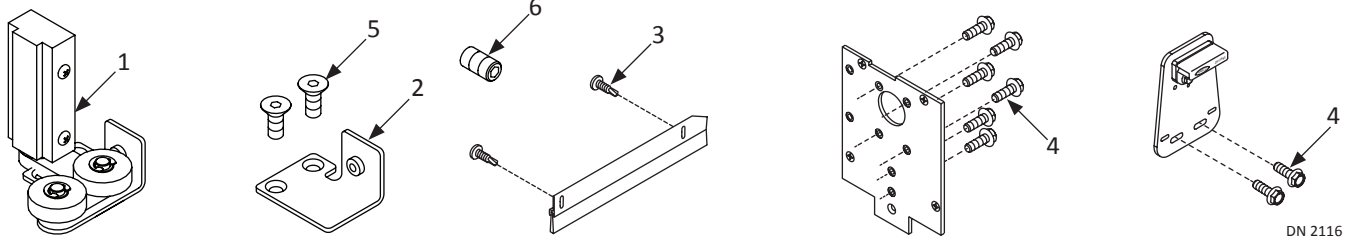


DN 2115

Full Open Parts Kit: Non-Handed P/N A-00625

Item	Part	Note	Description	QTY	Used To
1	A-00406		LIMIT ARM, SWING PANEL, MED STILE	1	Allow Sidelite to swing Open and Closed
2	M-00975		PIVOT, FLOOR, SWING PANEL, HURRICANE	1	Allow Sidelite to swing Open and Closed
3	M-00606		BUSHING, BOTTOM PIVOT, SWING PANEL	1	Protect inside of Barrel from dust/dirt
4	T-00222	Zinc	PHSMS,6x0.500L.,PHIL,TEKS,ZINC	12	Secure Brush Holder to Door Panel(s)
	T-00260	Blk Zinc	PHSMS,6x0.500L. PHIL,TEKS BLK ZN		
5	T-00010		HHCS,1/4-20x0.750L.,WHIZLOCK,ZINC	2	Secure Belt Bracket to Carrier on top of Slide Door
				12	Secure Header to Jamb Tubes
6	T-00077		SHCS,1/4-20x0.750L.,ZINC	1	Secure Bottom Pivot to Floor
7	T-00083		FHMS,1/4-20x1.000L.,PHIL,UCUT,VIBRATITE	1	Secure Limit Arm to bottom of Header
8	T-00322		SHSS,5/16-24x0.625L.,CUP PT.	1	Adjust PreLoad on Slide Door (at top of Strike Stile)
9	T-00069		WASHER,.255 ID,.900 OD,.125 THK,NYLON	1	Keep Screw from digging into face of Limit Arm

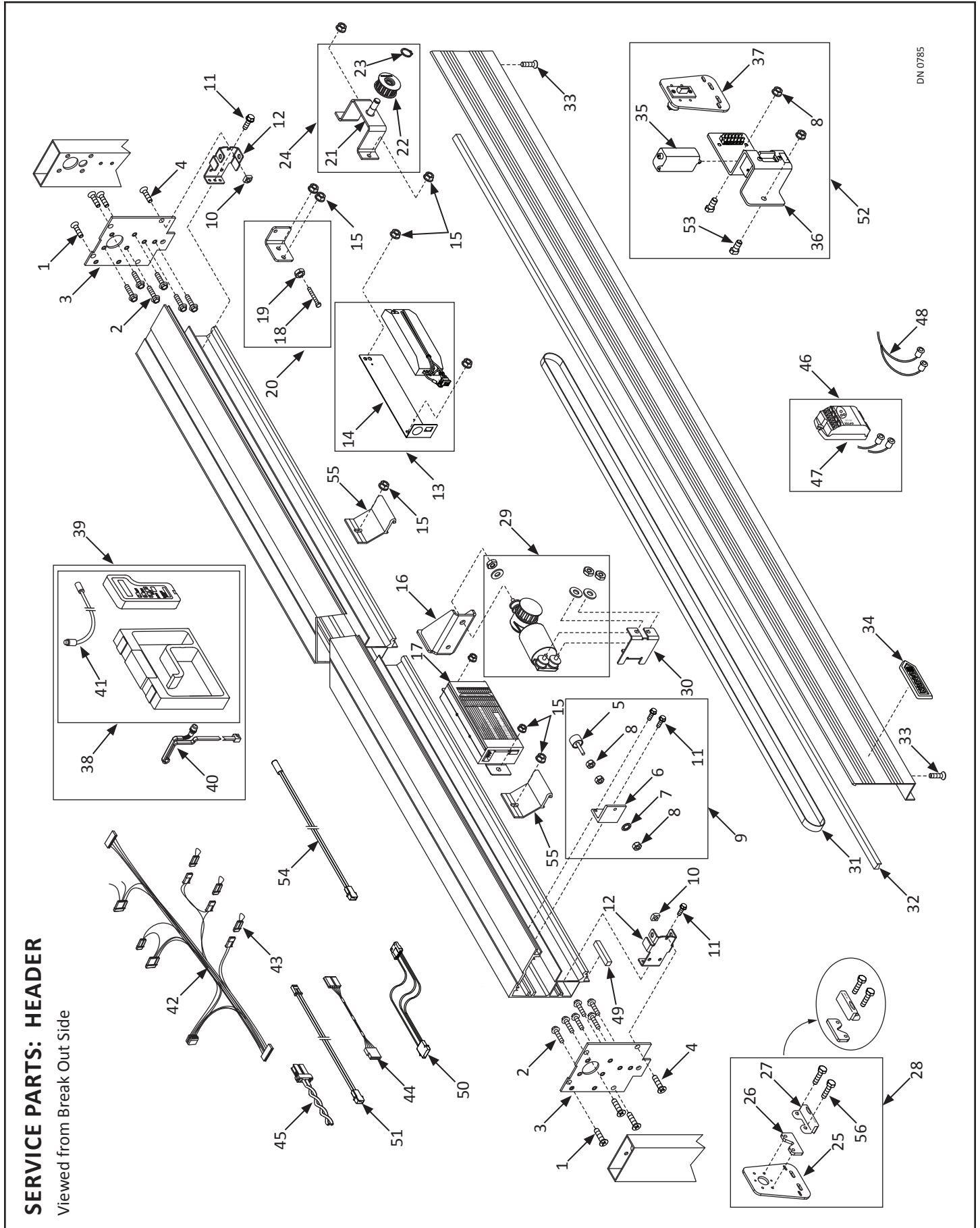
SERVICE PARTS: FIXED SIDELITE, H105
RH KIT: P/N A-00624; LH KIT: A-00623



DN 2116

Fixed Sidelite Parts Kit: RH Hand P/N A-00624; LH Hand P/N A-00623

Item	Part	Note	Description	QTY	Used To
1	A-00345	RH	ASM, LOWER PIVOT, FSRH, HURRICANE	1	Allow Slide Door to Open/Close. Roller portion is inserted into Bottom of Strike Stile on Fixed Sidelite.
	A-00346	LH	ASM, LOWER PIVOT, FSLH, HURRICANE		
2	M-00993	RH	BRACKET, THRESHOLD, FS, HURRICANE, RH	1	Cover opening on Pivot Stile
	M-00994	LH	BRACKET, THRESHOLD, FS, HURRICANE, LH		
3	T-00222	Zinc	PHSMS,6x0.500L.,PHIL,TEKS,ZINC	12	Secure Brush Holder to Door Panel(s)
	T-00260	Blk Zinc	PHSMS,6x0.500L. PHIL,TEKS BLK ZN		
4	T-00010		HHCS,1/4-20x0.750L.,WHIZLOCK,ZINC	12	Secure Header to Jamb Tubes
				2	Secure Belt Clip to Carrier
5	T-00174		FHCS,1/4-20x0.625L.,ZINC	2	Secure Threshold Bracket to Floor
				2	Secure Cover Plate to Panel
6	T-00322		SHSS,5/16-24x0.625L.,CUP PT.	1	Adjust PreLoad on Slide Door (at top of Strike Stile)



SERVICE PARTS: HEADER

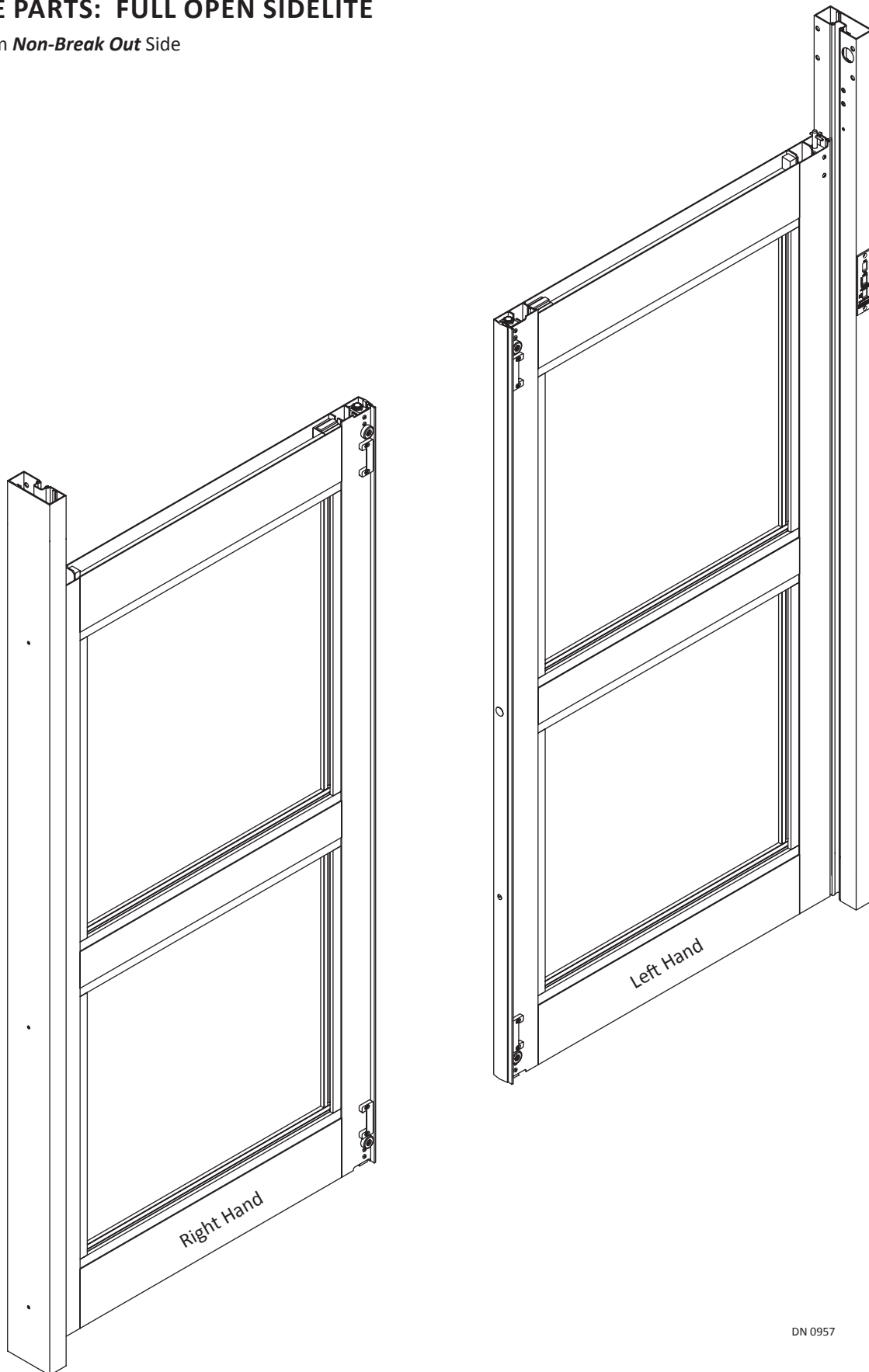
Viewed from Break Out Side

GT1175 (H105) Header		
Item	Finish/Sizes/Notes	Description
1	T-00061	FHMS,1/4-20x1.000L.,PHIL,TRI-LOBE,ZINC
2	T-00010	HHCS,1/4-20x0.750L.,WHIZLOCK,ZINC
3	M-60582	RH/Clear
	M-70582	RH/Dark Bronze
	M-60574	LH/Clear
	M-70574	LH/Dark Bronze
4	T-00015	Zinc
	T-00017	Black Zinc
5	A-00087	BUMPER,DOOR STOP
6	M-00502	BRACKET, IDLER/STOP
7	T-00096	"WASHER,INT,1/4;ZINC"
8	T-00002	NUT,HEX,1/4-20,ZINC
9	A-00128	DOOR STOP,ASM.
10	T-00058	NUT,SQ.,1/4-20,ZINC
11	T-00023	HHSMS,14X0.750L,TEKS,ZINC
12	M-00411	BRACKET,END CAP,HEADER
13	A-00717	POWER SUPPLY,27 VDC,100 WATT
14	M-01624	BRACKET, POWER SUPPLY, 1175
15	T-00025	NUT,WHIZLOCK,3/8-16,ZINC
16	M-00396	BRACKET, MOUNTING, FRONT, DS150
17	V-00020	CONTROLLER, U30
18	T-00075	HHCS,3/8-16x2.750L.,FULL THREAD,ZINC
19	T-00067	NUT,HEX,JAM,3/8-16,ZINC
20	A-00078	BELT,DRIVE,IDLER SPROCKET,TENSIONER
21	M-00402	BRACKET, PULLEY SHAFT WELDMENT
22	M-00405	IDLER PULLEY ASSEMBLY
23	T-00049	RING,RETAINING,EXT,15mm SHAFT,HD
24	A-00042	ASM, IDLER PULLEY
25	M-00394	BRACKET,BELT CLIP MOUNTING
26	M-00392	SPACER,BELT CLIP
27	M-00391	BELT,CLIP
28	A-00759	BELT CLIP KIT
29	M-00395	OPERATOR,DS150
30	M-00397	BRACKET,MOUNTING , REAR, DS150
31	M-01491	BELT: .500 PITCH: "H" PROFILE
32	M-00688	PILE WEATHERING .45 TALL W/ ADHESIVE
33	T-00024	FHMS,8-32x0.625L.,PHIL,F-POINT,ZINC
	T-00179	"FHMS,8-32x0.625L.,PHIL,BK.ZC.TYPE F"

GT1175 (H105) Header			
Item	Finish/Sizes/Notes	Description	
34	C-00067	"NAMEPLATE, ADHESIVE BACKED"	
35	V-00022	POWER SUPPLY, 24VDC, 0.5A	
36	A-00342	Fail Safe	LOCK, ELECTRIC,FAIL SECURE,1175
	A-00341	Fail Secure	LOCK, ELECTRIC,FAIL SAFE,1175
37	A-00343	RHFS, LHFO	BRKT,BELT,ELECTRIC LOCK,RHFS,LHFO,BP
	A-00344	LHFS, RHFO	BRKT,BELT,ELECTRIC LOCK,LHFS,RHFO
38	A-00711		"KIT,HANDY TERMINAL"
39	V-00356		HANDY TERMINAL
40	M-01517	78.75 inches	"HARNESS,HANDY TERMINAL"
41	M-01410		CABLE,HANDY TERMINAL
42	M-00413		HARNESS,U30,CONTROL
43	A-00385		BREAKOUT JUMPER
44	A-00967	36 inches	HARNESS;EXTENSION;ROCKER SWITCH;36IN.
	A-00968	72 inches	HARNESS;EXTENSION;ROCKER SWITCH;72IN.
	A-00969	180 inches	HARNESS;EXTENSION;ROCKER SWITCH;180IN.
45	M-00412		HARNESS,U30,POWER
46	A-00709	Control Box and Cable	HOLDING BEAM SYSTEM
47	A-00129	Control Box	AMPLIFIER, PHOTOEYE, OPTEX ASSY
48	V-00073	(1) Emit and (1) Detect w/ExtCbl	HOLDING BEAM,PHOTO ELECTRIC,W/ EXT CABLE
49	M-00281		FOAM WEATHERSTRIPPING ADHESIVE BACKED
50	M-01156	48 inches	ACCUSENSOR EXT HARNESS 48" INT.
	M-01168	24 inches	HARNESS,ACUSENSOR EXT,24 INT
51	M-01073	90 inches	HARNESS,BREAK OUT SWITCH,90IN EXTENTION
	M-01136	35 inches	HARNESS,BREAK OUT SWITCH,35IN EXTENSION
52	A-01031	Full Open Sidelite only	U-19 ELECTRIC LOCK KIT, FAIL SECURE
	A-01032		U-19 ELECTRIC LOCK KIT, FAIL SAFE
53	A-00686		"T-NUT,3/8-16x.750L"
54	A-00758		SWITCHBREAKOUT
55	M-00369		SUPPORT, ANTI-RISE
56	T-00139		HHCS,1/4-20x1.000L.,GR5,ZINC

SERVICE PARTS: FULL OPEN SIDELITE

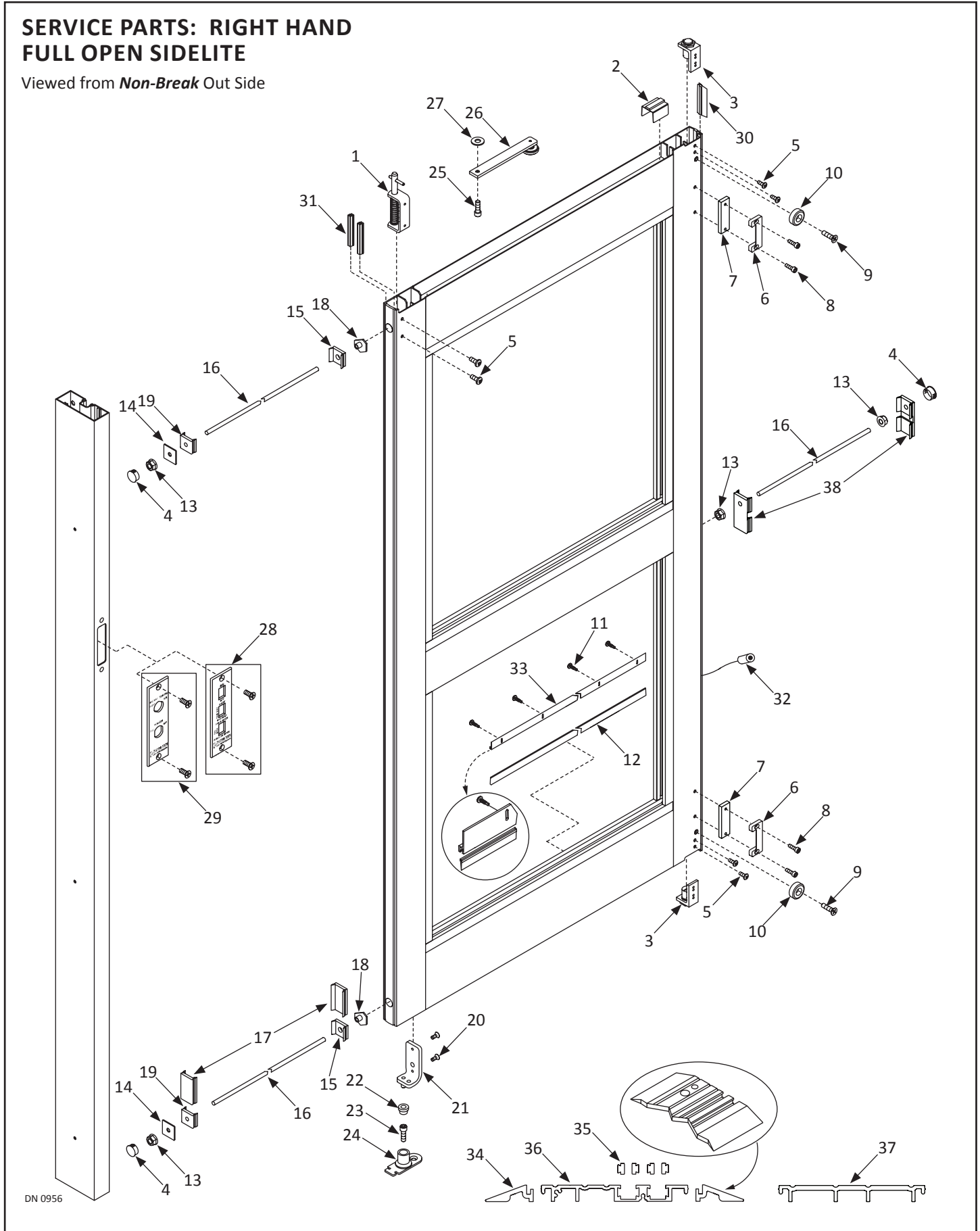
Viewed from *Non-Break Out Side*



DN 0957

SERVICE PARTS: RIGHT HAND FULL OPEN SIDELITE

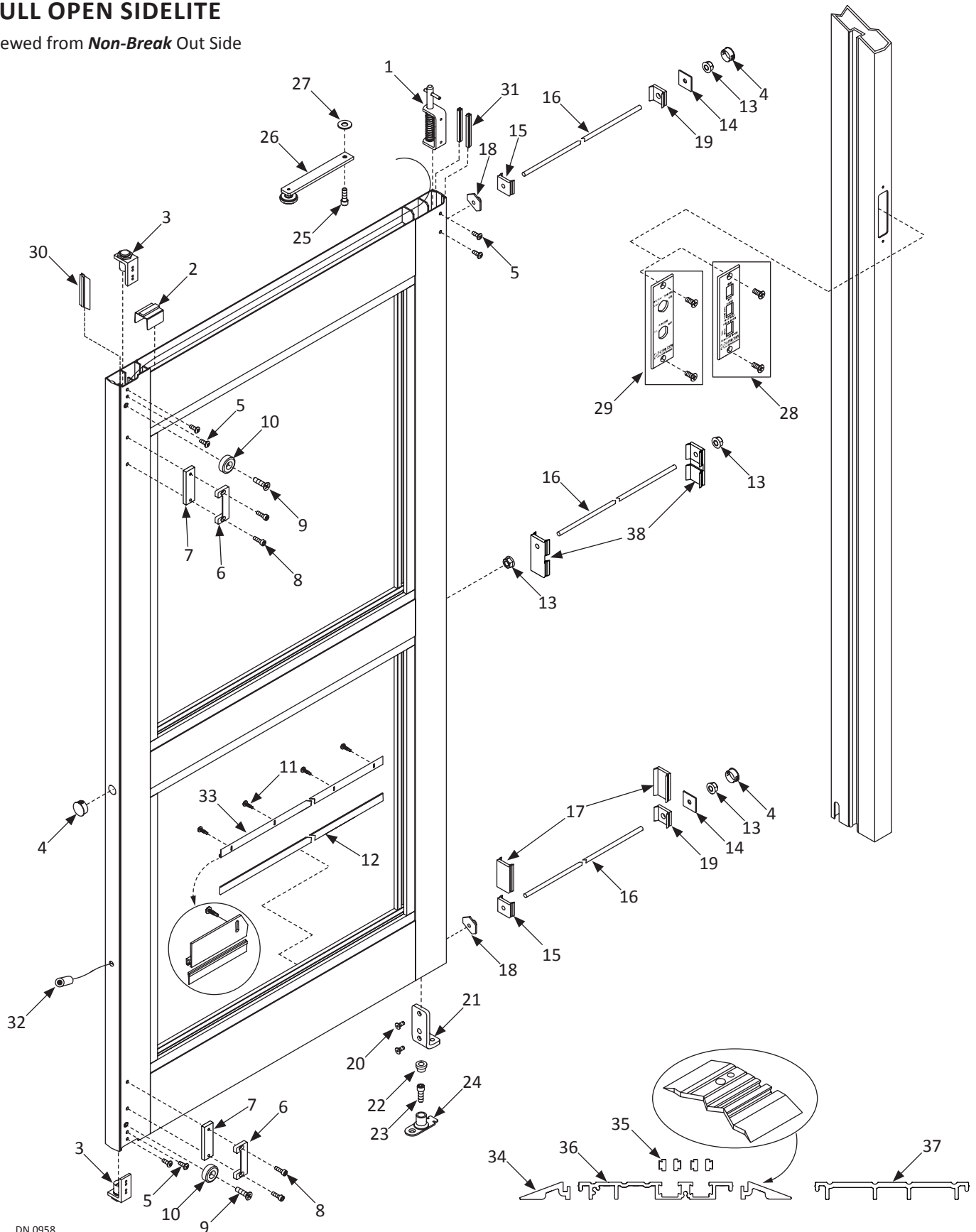
Viewed from *Non-Break* Out Side



DN 0956

SERVICE PARTS: LEFT HAND FULL OPEN SIDELITE

Viewed from *Non-Break* Out Side



DN 0958

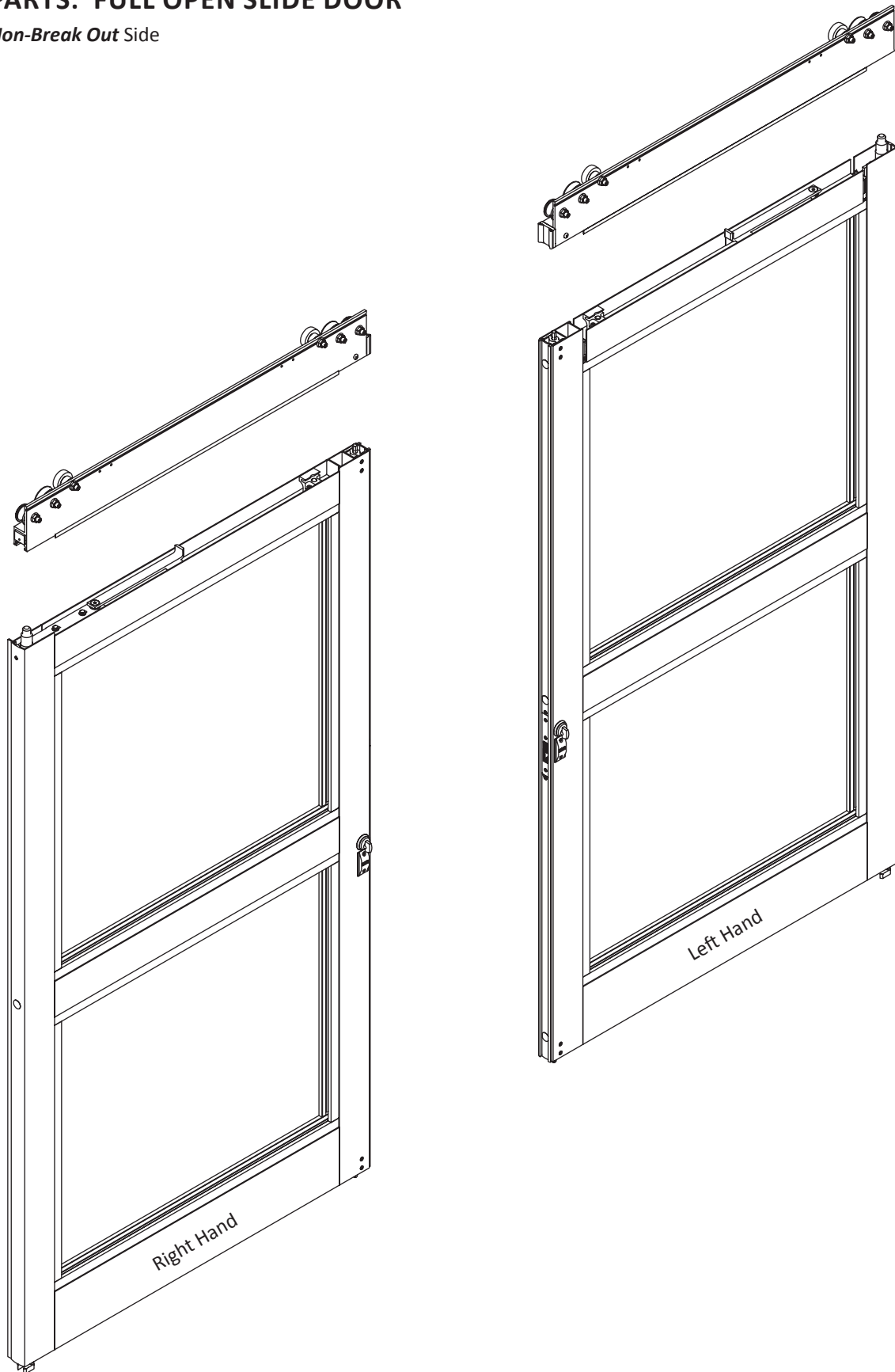
GT1175 (H105) Full Open Sidelite			
Item	Part	Finish/Sizes/Notes	Description
1	A-00029		ASM, TOP PIVOT, 1175 SWING PANEL
2	A-00149		ASM, MAGNET, BREAKOUT
3	A-00057		BALL DETENT,ASSEMBLY
4	V-00720		PLUG,HOLE,13/16 DOME
5	T-00027	Zinc	PHMS,10-32x0.500L.,PHIL.ZINC
	T-00051	Black Zinc	PHMS,10-32x0.500L.,PHIL,BLK ZN
6	A-00282		NUT BAR,FEMALE,INTERLOCK,
7	M-00973		INTERLOCK, FEMALE
8	T-00175		SHCS,10-32x0.625L.,ZINC
9	T-00061		FHMS,1/4-20x1.000L.,PHIL,TRI-LOBE,ZINC
10	M-00960		PAD, WEAR
11	T-00222	Zinc	PHSMS,6x0.500L.,PHIL,TEKS,ZINC
	T-00260	Black Zinc	PHSMS,6x0.500L. PHIL,TEKS BLK ZN
12	M-71239		WEATHERING:VINYL:1.00:BLK
13	T-00025		NUT,WHIZLOCK,3/8-16,ZINC
14	M-00422		PLATE,TIE ROD
15	M-00870		CLIP, RAIL, .391 HOLE
16	M-00272		3/8-16 THREADED ROD
17	M-00880		CLIP, RAIL, 2.9" LONG
18	M-00416		T-NUT, 3/8"-16, TIE ROD
19	M-00871		CLIP, RAIL, .500 HOLE
20	T-00174		FHCS,1/4-20x0.625L.,ZINC
21	M-00744	RH	PIVOT, BOTTOM, SWING PANEL, RH
	M-00745	LH	PIVOT, BOTTOM, SWING PANEL, LH
22	M-00606		BUSHING, BOTTOM PIVOT, SWING PANEL
23	T-00077		SHCS,1/4-20x0.750L.,ZINC
24	M-00975		PIVOT, FLOOR, SWING PANEL, HURRICANE
25	T-00083		FHMS,1/4-20x1.000L.,PHIL,UCUT,VIBRATITE
26	A-00406		LIMIT ARM, SWING PANEL, MED STILE
27	T-00069		WASHER,.255 ID,.900 OD,.125 THK,NYLON
28	M-00428		SWITCH MODULE,3 ROCKER,NABCO
	M-00429		SWITCH MODULE,3 ROCKER,PORTA
29	M-01144		SWITCH, KEY - NABCO
	M-01145		SWITCH, KEY - PORTA SERVICE
30	M-01241	Gray	WEATHERING, VINYL, 9/16IN GRAY FIN
	M-71241	Black	WEATHERING,VINYL,9/16IN,BLK
31	M-00691		WEATHERING, PILE .45 W/ FIN
32	V-00073		HOLDING BEAM,PHOTO ELECTRIC,W/ EXT CABLE

GT1175 (H105) Full Open Sidelite

Item	Part	Finish/Sizes/Notes	Description
33	M-60278	Order by Length, Clear	HOLDER,WEATHERING BRUSH,204,EXTRU
	M-70278	Order by Length, Dark Bronze	HOLDER,WEATHERING BRUSH,313,EXTRU
	M-90278	Order by Length, Bone White	HOLDER:WEATHERING BRUSH:BW:EXTRU
34	M-60260		RAMP, THRESHOLD EXTENSION,204,EXTRU
35	M-00291		THRESHOLD, BUMPER
36	M-00258		THRESHOLD,USE M-60258
37	M-00858		THRESHOLD,FSL,EXTRU
38	A-01270		CLIP,RAIL,4 MUNTIN, .391 HOLE

SERVICE PARTS: FULL OPEN SLIDE DOOR

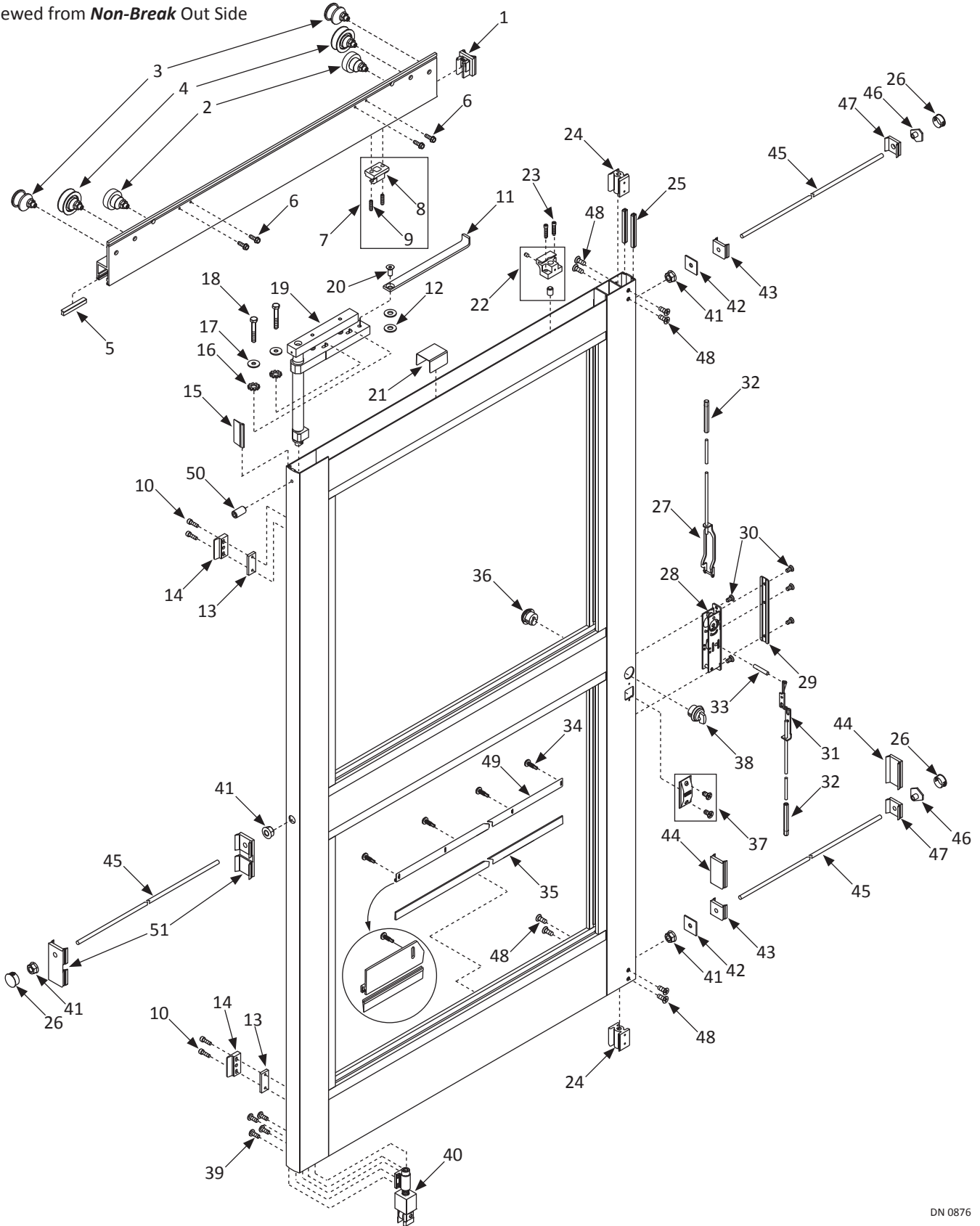
Viewed from *Non-Break Out* Side



DN 0879

SERVICE PARTS: RIGHT HAND FULL OPEN SLIDE DOOR

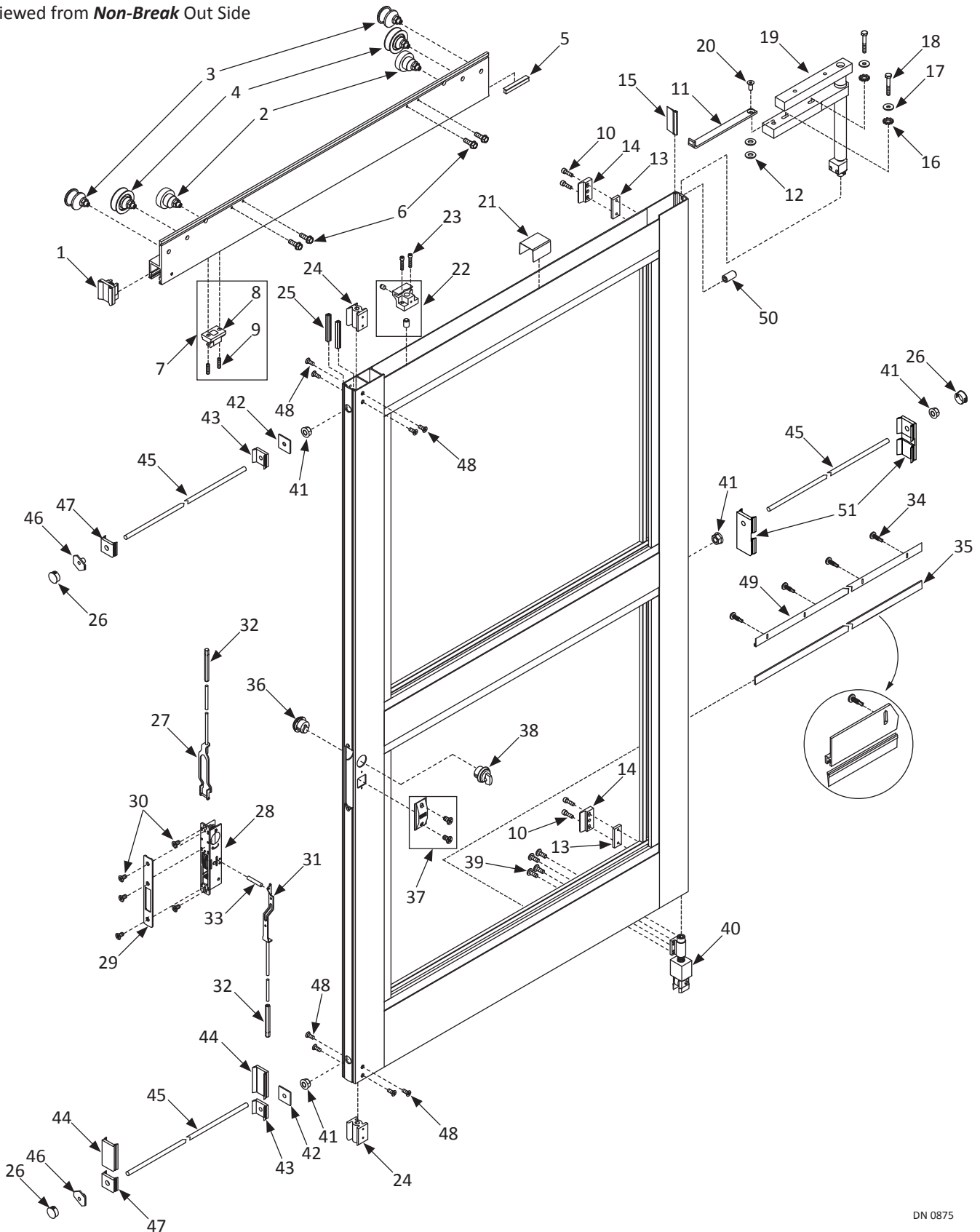
Viewed from **Non-Break** Out Side



DN 0876

SERVICE PARTS: LEFT HAND FULL OPEN SLIDE DOOR

Viewed from *Non-Break* Out Side



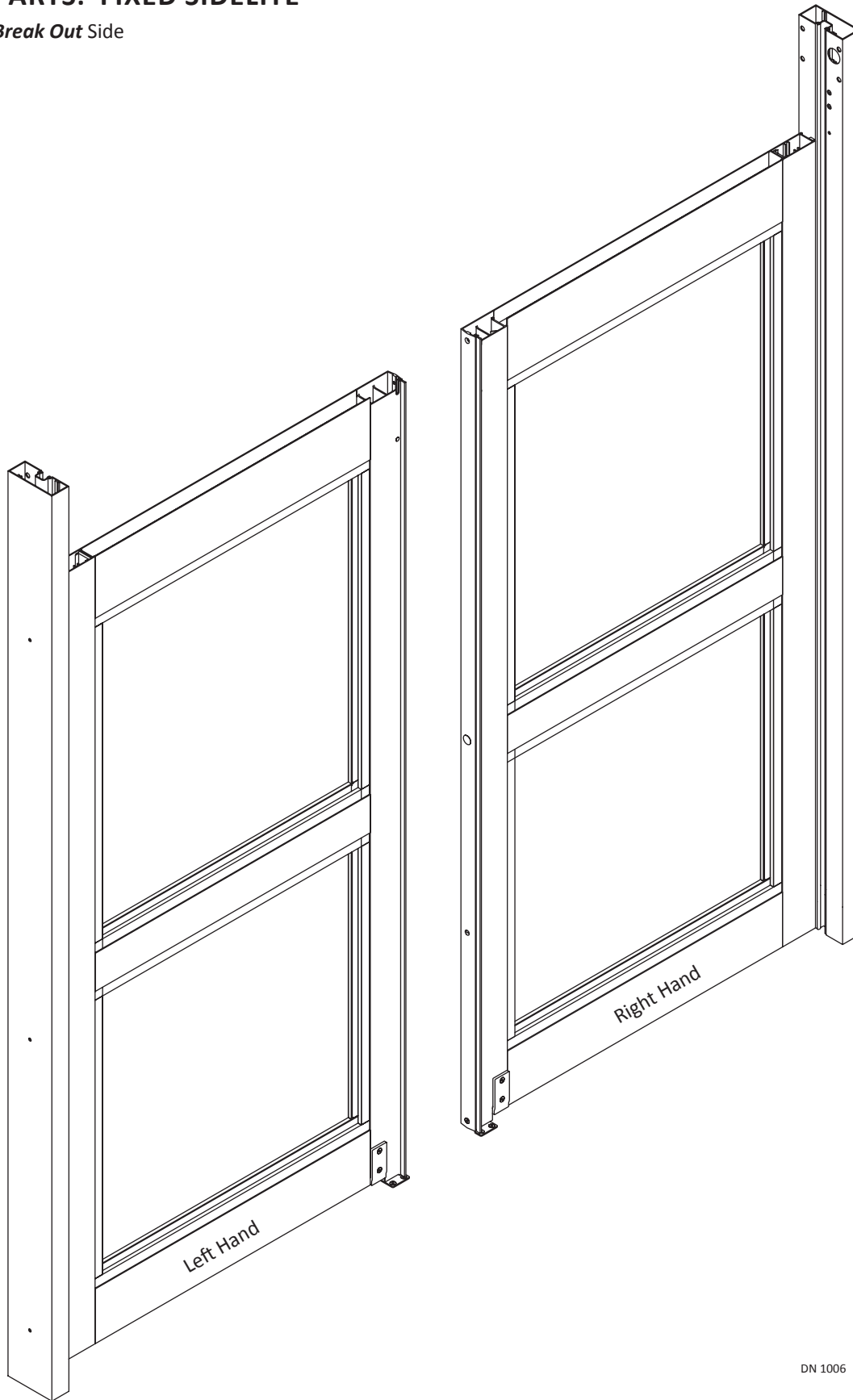
DN 0875

GT1175 (H105) Full Open Slide Door			
Item	Part	Finish/Sizes/Notes	Description
1	A-00301		ASM, ENDCAP, CARRIER
2	A-00305		ASM, ANTI-RISE, HURRICANE
3	A-00319		ASM, RETAINER, CARRIER, ECCENTRIC
4	A-00162		ROLLER, HANGER, ASSEMBLY, 1175
5	M-00690		WEATHER, PILE .2
6	T-00119		HHCS,1/4-20x0.750L.,WASH HD.TRILOBE,ZINC
7	A-00071		PANIC CATCH, UPPER,ASM.
8	M-00483		PANIC CATCH RELEASE ASSEMBLY
9	T-00091		SHSS,5/16-18x1.250L.,CUP PT.
10	T-00175		SHCS,10-32x0.625L.,ZINC
11	M-00704		ARM, LIMIT, MEDIUM STILE
12	T-00092		WASHER,.438 ID,1.00 OD,.083 THK,ZINC
13	A-00282		NUT BAR,FEMALE,INTERLOCK,
14	A-00324		ASM, INTERLOCK, MALE, HURRICANE
15	M-00695		BRUSH, NYLON, .56 L
16	T-00087		WASHER, LOCK, EXT, 1/4 ID, ZINC
17	T-00029		WASHER,.250 ID,.563 OD,.049 THK,ZINC
18	T-00028		HHCS,1/4-20x1.750L.,GR5,ZINC
19	A-00323		ASM, CARRIER BAR, MEDIUM STILE HURRICANE
20	T-00093		FHCS,7/16-14x1.000L.,ZINC,W/ NYLON PATCH
21	M-00653		BRACKET, LIMIT ARM SUPPORT
22	A-00069		PANIC CATCH, BOTTOM
23	T-00037		SHCS,1/4-20x1.250L.,ZINC
24	M-00807		BLOCK, GUIDE, LOCKROD
25	M-00340		WEATHERING,PILE .37
26	V-00720		PLUG,HOLE,13/16 DOME
27	V-00303		LOCKROD, ADAMS-RITE #4016
28	V-00006		LOCK, CR LAURENCE #DL2130A
29	V-00014	Clear	COVER,MS LOCK,W/ CUTOUT,204
	V-70014	Dark Bronze	COVER,MS LOCK,W/ CUTOUT,313
30	T-00043		FHMS,10-24x0.375L.,PHIL,UNDERCUT,ZINC
31	V-00094		LOCKROD, ADAMS-RITE #4015
32	M-00997		LOCKROD, END, 1/4"-20
33	T-00132		"PIN,ROLL,5/32D X 0.875L."
34	T-00222	Zinc	PHSMS,6x0.500L.,PHIL,TEKS,ZINC
	T-00260	Black Zinc	PHSMS,6x0.500L. PHIL,TEKS BLK ZN
35	M-01526		"BRUSH,NYLON,1 LG"

GT1175 (H105) Full Open Slide Door			
Item	Part	Finish/Sizes/Notes	Description
36	V-00123	Silver	CYLINDER,LOCK,KEYED,204
	V-70123	Dark Bronze	CYLINDER,LOCK,KEYED,313
37	V-00018	Clear, Hook Bolt Extends "Up"	EXIT INDICATOR,INVERTED,204
	V-70018	Dark Bronze, Hook Bolt Extends "Up"	EXIT INDICATOR,INVERTED,313
	V-00017	Clear, Hook Bolt Extends "Down"	EXIT INDICATOR,STANDARD,204
	V-70017	Dark Bronze, Hook Bolt Extends "Down"	EXIT INDICATOR,STANDARD,313
38	V-00116	Silver	CYLINDER,LOCK,THUMBTURN,204
	V-70116	Bronze	CYLINDER,LOCK,THUMBTURN,313
39	T-00027		PHMS,10-32x0.500L.,PHIL.ZINC
40	A-00335		BOTTOM GUIDE,FO
41	T-00025		NUT,WHIZLOCK,3/8-16,ZINC
42	M-00422		PLATE,TIE ROD
43	M-00870		CLIP, RAIL, .391 HOLE
44	M-00880		CLIP, RAIL, 2.9" LONG
45	M-00272		3/8-16 THREADED ROD
46	M-00416		T-NUT, 3/8"-16, TIE ROD
47	M-00871		CLIP, RAIL, .500 HOLE
48	T-00176		FHMS,10-32x0.500L.,PHIL,UCUT,23-PT,ZINC
49	M-60278	Order by Length, Clear	HOLDER,WEATHERING BRUSH,204,EXTRU
	M-70278	Order by Length, Dark Bronze	HOLDER,WEATHERING BRUSH,313,EXTRU
	M-90278	Order by Length, Bone White	HOLDER:WEATHERING BRUSH:BW:EXTRU
50	T-00322		SHSS,5/16-24x0.625L.,CUP PT.
51	A-01270		CLIP,RAIL,4 MUNTIN,.391 HOLE

SERVICE PARTS: FIXED SIDELITE

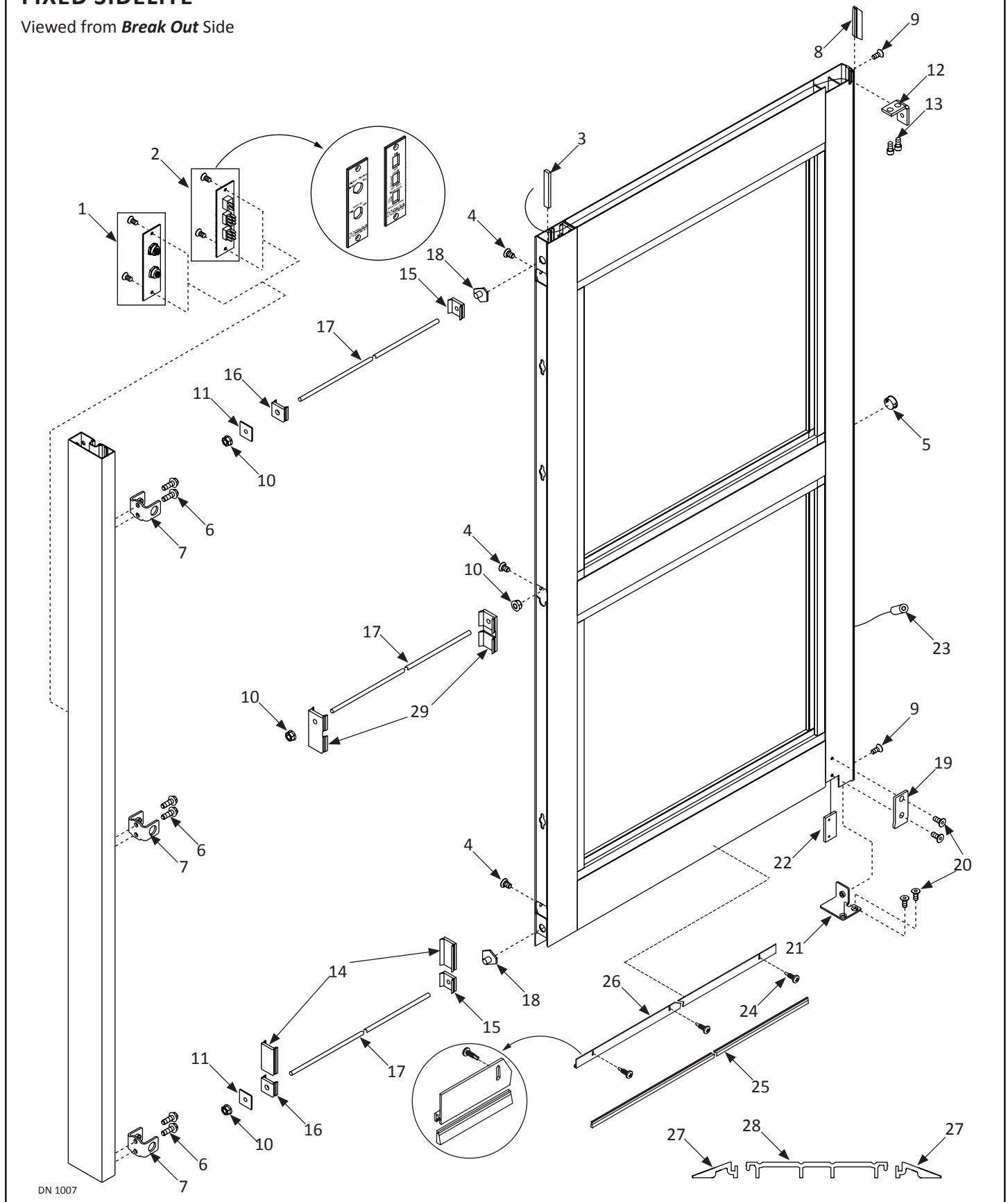
Viewed from *Break Out* Side



DN 1006

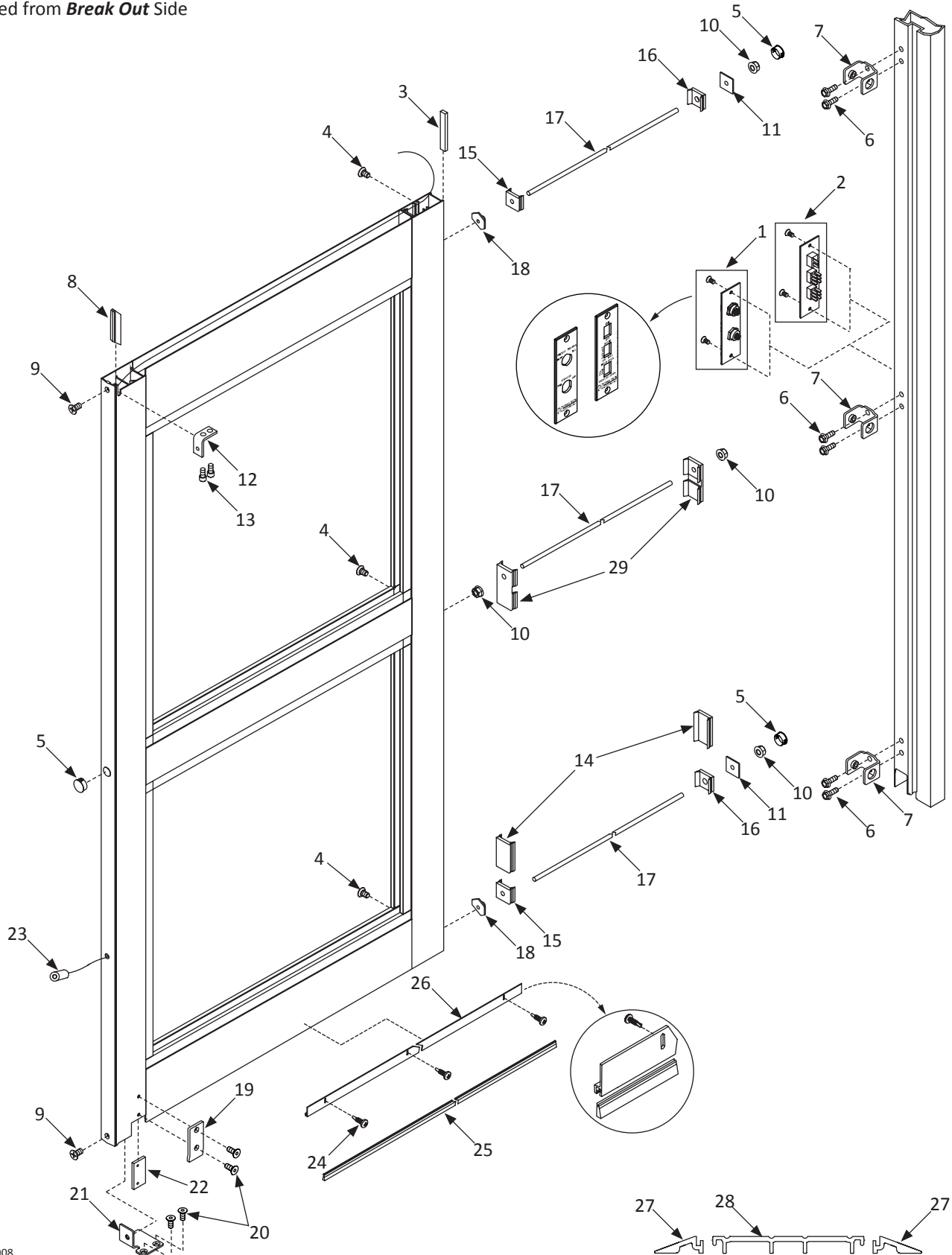
SERVICE PARTS: LEFT HAND FIXED SIDELITE

Viewed from *Break Out* Side



SERVICE PARTS: RIGHT HAND FIXED SIDELITE

Viewed from *Break Out* Side

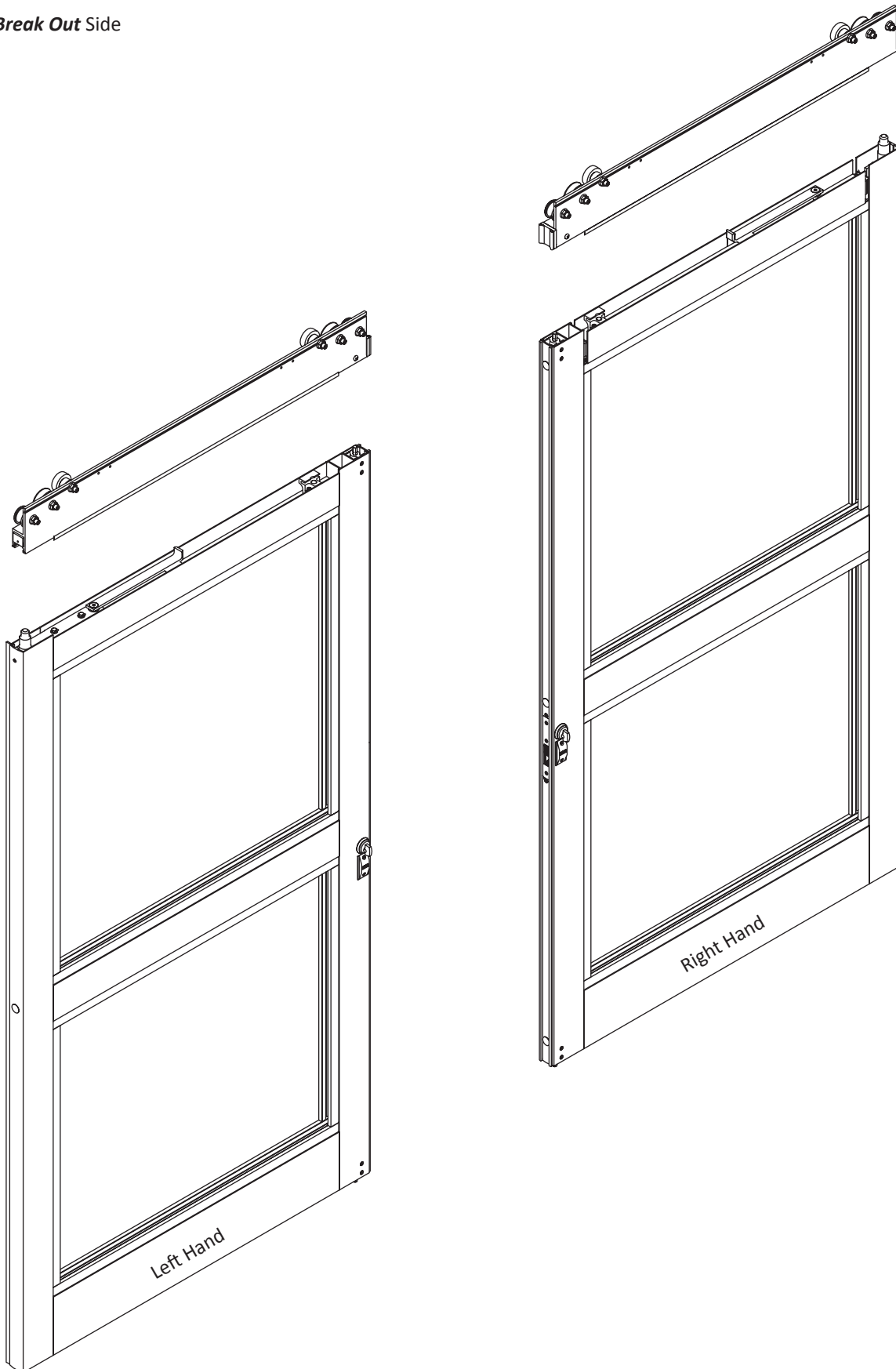


DN 1008

GT1175 (H105) Fixed Sidelite			
Item	Part	Finish/Sizes/Notes	Description
1	M-01144		SWITCH, KEY - NABCO
	M-01145		SWITCH, KEY - PORTA SERVICE
2	M-00428		SWITCH MODULE,3 ROCKER,NABCO
	M-00429		SWITCH MODULE,3 ROCKER,PORTA
3	M-00281		FOAM WEATHERSTRIPPING ADHESIVE BACKED
4	T-00016		FHMS,1/4-20x0.438L.,PHIL,UNDERCUT,ZINC
5	V-00720		PLUG,HOLE,13/16 DOME
6	T-00010		HHCS,1/4-20x0.750L.,WHIZLOCK,ZINC
7	M-00972		BRACKET, JAMB TUBE, FS
8	M-00695		BRUSH, NYLON, .56 L
9	T-00055		FHMS,1/4-20x0.500L.,PHIL,ZINC
	T-00057		FHMS,1/4-20x0.500L.,PHIL,BLK ZN
10	T-00025		NUT,WHIZLOCK,3/8-16,ZINC
11	M-00422		PLATE,TIE ROD
12	M-00706		BRACKET,MOUNTING ,FIXED SIDELITE
13	T-00053		SHCS,1/4-20x0.500L.,ZINC
14	M-00880		CLIP, RAIL, 2.9" LONG
15	M-00871		CLIP, RAIL, .500 HOLE
16	M-00870		CLIP, RAIL, .391 HOLE
17	M-00272		3/8-16 THREADED ROD
18	M-00416		T-NUT, 3/8"-16, TIE ROD
19	M-00969		PLATE, COVER, FIXED SIDELITE
20	T-00174		FHCS,1/4-20x0.625L.,ZINC
21	M-00993	RH	BRACKET, THRESHOLD, FS, HURRICANE, RH
	M-00994	LH	BRACKET, THRESHOLD, FS, HURRICANE, LH
22	A-00283		NUT PLATE,COVER,FS
23	V-00073		HOLDING BEAM,PHOTO ELECTRIC,W/ EXT CABLE
24	T-00222	Zinc	PHSMS,6x0.500L.,PHIL,TEKS,ZINC
	T-00260	Black Zinc	PHSMS,6x0.500L. PHIL,TEKS BLK ZN
25	M-01526		"BRUSH,NYLON,1 LG"
26	M-60278	Order by Length, Clear	HOLDER,WEATHERING BRUSH,204,EXTRU
	M-70278	Order by Length, Dark Bronze	HOLDER,WEATHERING BRUSH,313,EXTRU
	M-90278	Order by Length, Bone White	HOLDER:WEATHERING BRUSH:BW:EXTRU
27	M-60260		RAMP, THRESHOLD EXTENSION,204,EXTRU
28	M-00858		THRESHOLD,FSL,EXTRU
29	A-01270		CLIP,RAIL,4 MUNTIN,.391 HOLE

SERVICE PARTS: FIXED SIDELITE SLIDE DOOR

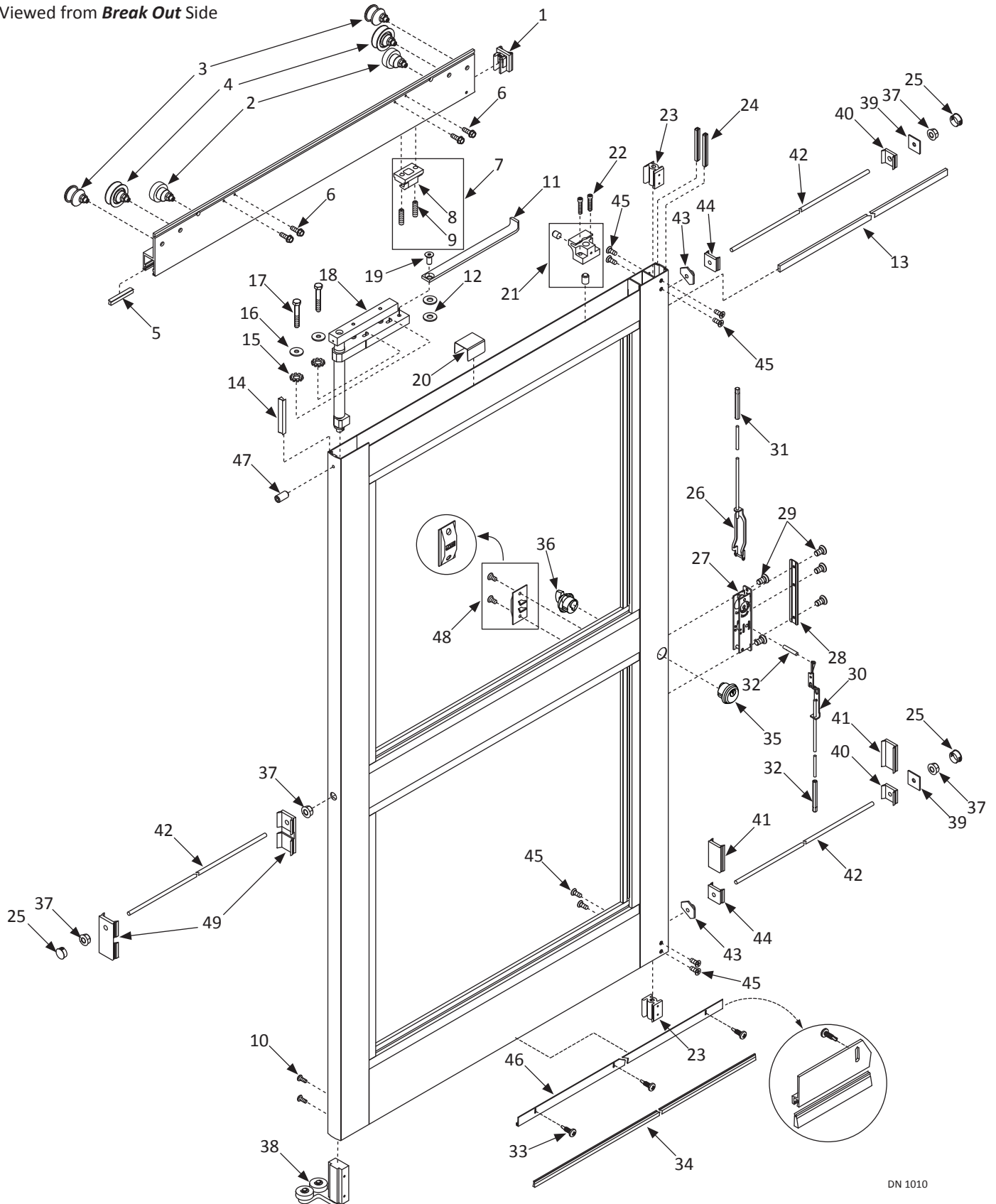
Viewed from *Break Out* Side



DN 1009

SERVICE PARTS: LEFT HAND FIXED SIDELITE SLIDE DOOR

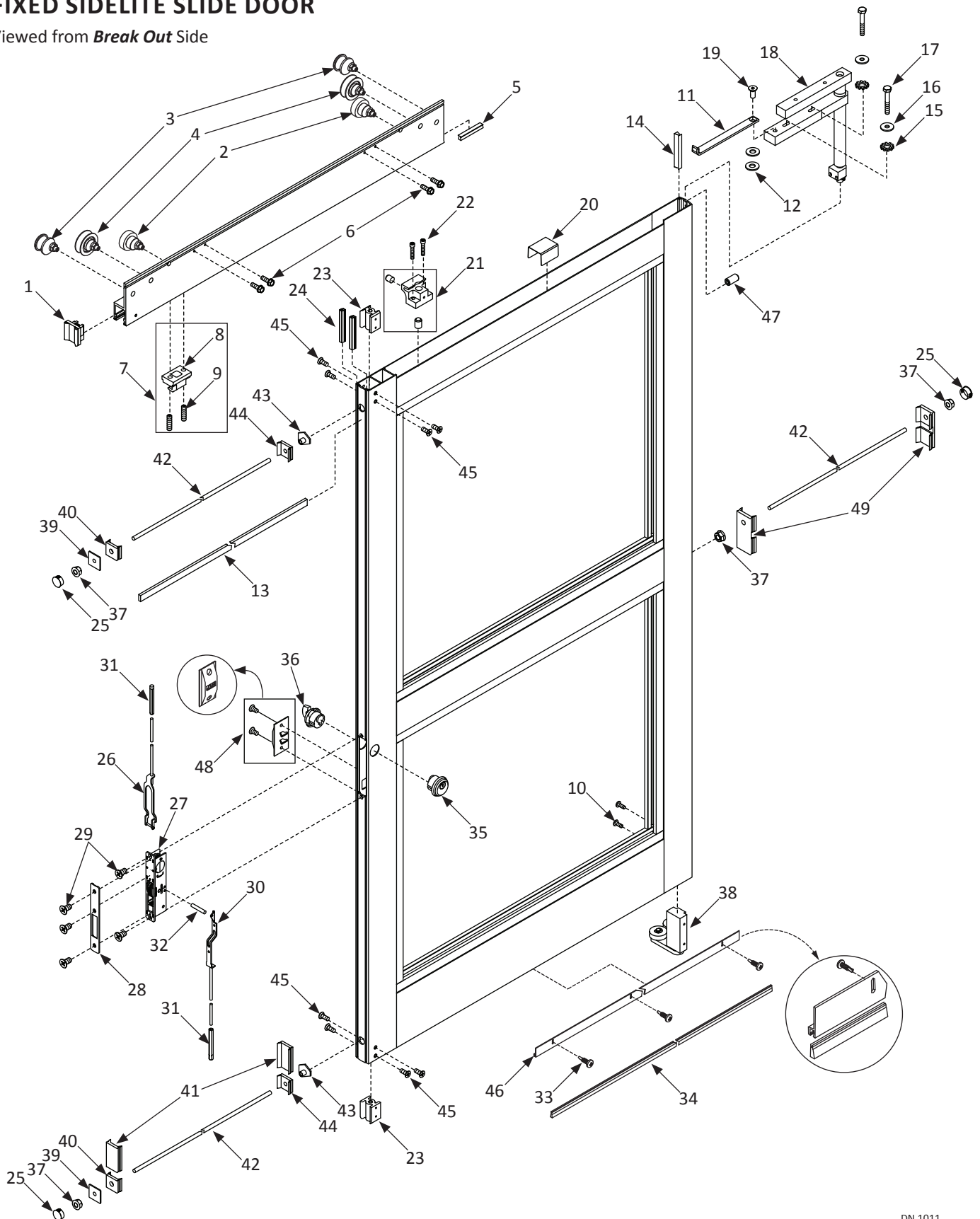
Viewed from *Break Out* Side



DN 1010

SERVICE PARTS: RIGHT HAND FIXED SIDELITE SLIDE DOOR

Viewed from *Break Out* Side



GT1175 (H105) Fixed Slide Door			
Item	Part	Finish/Sizes/Notes	Description
1	A-00301		ASM, ENDCAP, CARRIER
2	A-00305		ASM, ANTI-RISE, HURRICANE
3	A-00319		ASM, RETAINER, CARRIER, ECCENTRIC
4	A-00162		ROLLER, HANGER, ASSEMBLY, 1175
5	M-00690		WEATHER, PILE .2
6	T-00119		HHCS,1/4-20x0.750L.,WASH HD.TRILOBE,ZINC
7	A-00071		PANIC CATCH, UPPER,ASM.
8	M-00483		PANIC CATCH RELEASE ASSEMBLY
9	T-00091		SHSS,5/16-18x1.250L.,CUP PT.
10	T-00027		PHMS,10-32x0.500L.,PHIL.ZINC
11	M-00704		ARM, LIMIT, MEDIUM STILE
12	T-00092		WASHER,.438 ID,1.00 OD,.083 THK,ZINC
13	M-00282		FLEXIBLE MAGNETIC STRIP
14	M-00690		WEATHER, PILE .2
15	T-00087		WASHER, LOCK, EXT, 1/4 ID, ZINC
16	T-00029		WASHER,.250 ID,.563 OD,.049 THK,ZINC
17	T-00028		HHCS,1/4-20x1.750L.,GR5,ZINC
18	A-00323		ASM, CARRIER BAR, MEDIUM STILE HURRICANE
19	T-00093		FHCS,7/16-14x1.000L.,ZINC,W/ NYLON PATCH
20	M-00653		BRACKET, LIMIT ARM SUPPORT
21	A-00069		PANIC CATCH, BOTTOM
22	T-00037		SHCS,1/4-20x1.250L.,ZINC
23	M-00807		BLOCK, GUIDE, LOCKROD
24	M-00340		WEATHERING,PILE .37
25	V-00720		PLUG,HOLE,13/16 DOME
26	V-00303	Call Customer Service	LOCKROD, ADAMS-RITE #4016
27	V-00006		LOCK, CR LAURENCE #DL2130A
28	V-00014	Clear	COVER,MS LOCK,W/ CUTOUT,204
	V-70014	Dark Bronze	COVER,MS LOCK,W/ CUTOUT,313
29	T-00043		FHMS,10-24x0.375L.,PHIL,UNDERCUT,ZINC
30	V-00094		LOCKROD, ADAMS-RITE #4015
31	M-00997		LOCKROD, END, 1/4"-20
32	T-00132		"PIN,ROLL,5/32D X 0.875L"
33	T-00222	Zinc	PHSMS,6x0.500L.,PHIL,TEKS,ZINC
	T-00260	Black Zinc	PHSMS,6x0.500L. PHIL,TEKS BLK ZN
34	M-01526		"BRUSH,NYLON,1 LG"
35	V-00123	Silver	CYLINDER,LOCK,KEYED,204
	V-70123	Bronze	CYLINDER,LOCK,KEYED,313

GT1175 (H105) Fixed Slide Door			
Item	Part	Finish/Sizes/Notes	Description
36	V-00116	Silver	CYLINDER,LOCK,THUMBTURN,204
	V-70116	Bronze	CYLINDER,LOCK,THUMBTURN,313
37	T-00025		NUT,WHIZLOCK,3/8-16,ZINC
38	A-00345	RH	ASM, LOWER PIVOT, FSRH, HURRICANE
	A-00346	LH	ASM, LOWER PIVOT, FSLH, HURRICANE
39	M-00422		PLATE,TIE ROD
40	M-00870		CLIP, RAIL, .391 HOLE
41	M-00880		CLIP, RAIL, 2.9" LONG
42	M-00272		3/8-16 THREADED ROD
43	M-00416		T-NUT, 3/8"-16, TIE ROD
44	M-00871		CLIP, RAIL, .500 HOLE
45	T-00176		FHMS,10-32x0.500L.,PHIL,UCUT,23-PT,ZINC
46	M-60278	Order by Length, Clear	HOLDER,WEATHERING BRUSH,204,EXTRU
	M-70278	Order by Length, Dark Bronze	HOLDER,WEATHERING BRUSH,313,EXTRU
	M-90278	Order by Length, Bone White	HOLDER:WEATHERING BRUSH:BW:EXTRU
47	T-00322		SHSS,5/16-24x0.625L.,CUP PT.
48	V-00018	Clear, Hook Bolt Extends "Up"	EXIT INDICATOR,INVERTED,204
	V-70018	Dark Bronze, Hook Bolt Extends "Up"	EXIT INDICATOR,INVERTED,313
	V-00017	Clear, Hook Bolt Extends "Down"	EXIT INDICATOR,STANDARD,204
	V-70017	Dark Bronze, Hook Bolt Extends "Down"	EXIT INDICATOR,STANDARD,313
49	A-01270		CLIP,RAIL,4 MUNTIN,.391 HOLE